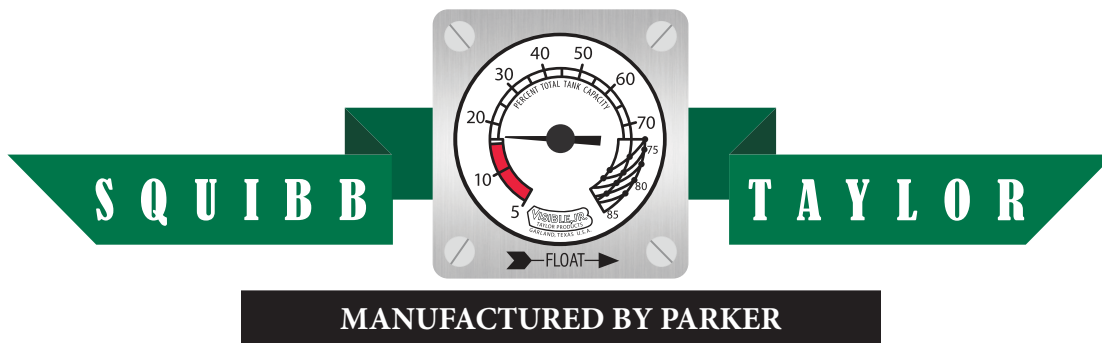


ANHYDROUS AMMONIA CATALOG

Serving the Industry Since 1947

www.squibbtaylor.com



USER SAFETY RESPONSIBILITY STATEMENT

For All Anhydrous Ammonia Products Offered by Squibb-Taylor

FAILURE OR IMPROPER SELECTION OR IMPROPER USE OF THE PRODUCTS DESCRIBED HEREIN OR RELATED ITEMS CAN CAUSE DEATH, PERSONAL INJURY OR PROPERTY DAMAGE.

- This document and other information from Squibb-Taylor, its subsidiaries and authorized distributors provide product or system options for further investigation by users having technical expertise.
- The user, through its own analysis and testing, is solely responsible for making the final selection of the system and components and assuring that all performance, endurance, maintenance, safety and warning requirements of the application are met. The user must analyze all aspects of the application, follow applicable industry standards, and follow the information concerning the product in the current product catalog and in any other materials provided from Squibb-Taylor or its subsidiaries or authorized distributors.
- To the extent that Squibb-Taylor or its subsidiaries or authorized distributors provide components or system options based upon data or specifications provided by the user, the user is responsible for determining that such data and specifications are suitable and sufficient for all applications and reasonably foreseeable uses of the components or systems.

Visit our Website @ www.squibbtaylor.com for Updates, Changes, New Products & IOM Manual - (Installation, Operation, & Maintenance Instructions)

Table Of Contents

• Acme Adaptors	29, 31
• Acme Caps & Plugs	30, 34
• Acme Lock - Hose End Valve	22
• Angle Valves & Parts	20
• Back Check Valves	27-28
• Ball Valves	33
• Blackmer Pumps	69
• Blackmer Pump Parts	70
• Blackmer Pump Parts Breakdown	71-78
• Bleeder Valves	35
• Butterfly Valves	54
• Bulkhead - Storage Tank	9
• Bypass Valves - Pump	57
• Corken Compressors & Parts	67
• Corken Pumps	58
• Corken Pump Parts	59-60
• Corken Pump Parts Breakdown	61-66
• E-Box & Accessories	52
• Eliminator™ Gauge - 1" Storage Tank	87
• Emergency Shutoff Valves & Accessories	36-40, 53
• Equa-Flo Manifolds - Tool Bar & Parts	17
• Excess Flow Valves	27
• Filler Couplings	22, 30
• Flex Connectors - SS	4
• Flo-Max Safety Couplers	15-16
• Float Gauges	79-96
• Flow Indicators	82
• Forged Steel Fittings	55
• Gaskets - Acme	97
• Gauge Dials	89-96
• Globe Valves & Parts	19
• Hose Assemblies	1-2
• Hose Buddy 2" & Hose Protector	3
• Hose Couplings - Reusable	5
• Hose Couplings - Two-Bolt Clamp	5
• Hose End Valves - Assemblies	21
• Hose End Valves - Globe	21
• Hose End Valves - Minimum Bleed	12
• Hose End Valves - Quick Jaw/Min. Bleed	12
• Hose End Valves - Quick Acting & Kits	11
• Hose Unions - Swivel	5
• Hydrostats & Adaptors	23
• IB125 Breakaway Coupling	14

• Inline Y Fitting - Hi-Flow	18
• Internal Valves, Actuators, & Accessories	41-51, 53
• Jr. Float Gauges - Nurse Tank	81
• Krug Compressor & Hand Pump	68
• Liquid Level Vent Valves - Storage Tank	35
• Manifold Nipples & Parts - Tool Bar	17
• Master Gauges - Storage Tank & Parts	85-86
• Minimum Bleed Hose End Valves	12
• Motors	68
• Needle Valves	33
• Nipples	56
• N-Serve Stainless Steel Float Gauges	80
• Nurse Tank Valves	7-8
• Nurse Tank To Toolbar Nominal Sizing Chart	102
• O-Rings - Acme	97
• Parking Plugs - Acme	34
• Pipe-Away Adaptors - Relief Valve	23, 25
• Pressure Gauges & Accessories	35
• Pressure & Temperature Chart	101
• Quick Jaw Hose End Valves	12
• Rain Caps	23, 25-26
• Relief Valve Manifold - Storage Tanks	23-24, 26
• Relief Valves - Mobile	25-26
• Relief Valves - Storage & Nurse Tank	23-26
• Relief Valve Sizing Chart	101
• Repair Kits & Parts	98-100
• Riser Valves	6
• RoadMaster Gauges - Mobile & Parts	83-84
• Rotary Gauges - 1" Storage Tank	88
• RotaSeal Hose Swivel & Kits	12
• Shear Breakaways - Riser	11
• Shear Integral Check-Lock - Tandem Tanks	13
• Sight Glass Fittings	33
• SkyTrak - GPS Speed Sensor	18
• Spanner Wrench - Acme	34
• Splitters - Tool Bar Flow Divider	18
• Sr. Float Gauges - Nurse Tank	79
• Strainers - Acme Adaptor	31
• Strainers - "Y"	31
• Thermometers - Storage Tank	35
• TriPod Pull-Aways & Parts - Riser/Storage	9-10
• Valve Locks	34
• Wheel Chocks & Accessories	32



Authorized Hose Assembly Distributor

Custom Lengths Available

Hoses Are Tested To Parker Standards

Date of Manufacture on Hose

Replace By Date on Hose

350 PSI Working Pressure

1750 PSI Burst Pressure

Always Check Hose Periodically For Wear

DOT Certifications Available Upon Request

**Ammonia Refrigeration Transfer Hose Assemblies
Parker 7262 Series 6 Year Hose**

1/2" Hoses		
Item Number	Part Number	Hose Length (OAL)
184905	AN05015 *	15'
184910	AN05025 *	25'
184915	AN05050 *	50'
184920	AN05100 *	100'



* Hoses Are Banded For Easy Handling & Stocking

3/4" Hoses		
Item Number	Part Number	Hose Length (OAL)
184938	AN075007	7'
184940	AN075015 *	15'
184945	AN075020 *	20'
184939	AN075025 *	25'
184946	AN075044 *	44'
184947	AN075050 *	50'
184960	AN075075 *	75'
184962	AN075100 *	100'
184965	AN075150 *	150'
184950	AN075200 *	200'



Nylon Green Stripe

Each Hose End Marked Per Manufacturers Requirement.

Parker 7262 Series Nylon 6 Year Hose Assemblies

1" Hoses •		
Item Number	Part Number	(OAL)
185497	AN100-32	32"
185499	AN100-34	34"
185501	AN10002	2'
185500	AN10003	3'
185503	AN10004	4'
185505	AN10005	5'
185506	AN10006	6'
185507	AN10007	7'
185512	AN10008 *	8'
185513	AN10009 *	9'
185515	AN10010 *	10'
185516	AN10011 *	11'
185520	AN10012 *	12'
185521	AN10013 *	13'
185524	AN10014 *	14'
185525	AN10015 *	15'
185527	AN10016 *	16'
185526	AN10017 *	17'
185528	AN10018 *	18'
185534	AN10019 *	19'
185535	AN10020 *	20'
185530	AN10025 *	25'
185536	AN10030 *	30'
185541	AN10035 *	35'
185550	AN10050 *	50'
185565	AN10100 *	100'

1 1/4" Hoses •		
Item Number	Part Number	(OAL)
185569	AN125-14	14"
185571	AN125-18	18"
185573	AN125-23	23"
185568	AN125-32	32"
185570	AN125-34	34"
185572	AN125-42	42"
185574	AN12502	2'
185576	AN12502-8	2'8"
185575	AN12503	3'
185578	AN12504	4'
185580	AN12505	5'
185582	AN12506 *	6'
185584	AN12507 *	7'
185586	AN12508 *	8'
185589	AN12509 *	9'
185590	AN12510 *	10'
185591	AN12511 *	11'
185594	AN12512 *	12'
185593	AN12512-6 *	12'6"
185595	AN12513 *	13'
185599	AN12514 *	14'
185600	AN12515 *	15'
185602	AN12517 *	17'
185603	AN12518 *	18'
185605	AN12520 *	20'
185610	AN12525 *	25'
185615	AN12530 *	30'
185635	AN12550	50'
185639	AN125100	100'

1 1/2" Hoses •		
Item Number	Part Number	(OAL)
185669	AN150-41	41"
185668	AN15001	1'
185670	AN15003	3'
185690	AN15005	5'
185692	AN15006	6'
185693	AN15007	7'
185694	AN15008 *	8'
185696	AN15010 *	10'
185700	AN15012 *	12'
185706	AN15015 *	15'
185707	AN15016 *	16'
186709	AN15018 *	18'

2" Hoses		
Item Number	Part Number	(OAL)
185750	AN20002	2'
185753	AN20009	9'
184753	AN20010	10'
185755	AN20010-4	10'4"
185760	AN20015	15'
185765	AN20018	18'
185143	AN20018-6	18'6"
185770	AN20020	20'

OAL = Overall Length.
Hose Assemblies can be assembled in any length.



Nylon Green Stripe

Each Hose End Marked Per Manufacturers Requirement.



* Hoses Are Banded For Easy Handling & Stocking

• Nominal Size Chart For Plumbing on Page 102.

Hose Buddy		
Item Number	Part Number	Part Description
117325	HB-1000	Fits 2" hose to protect from abrasive ground surfaces. Easily transferable from hose to hose.



HB-1000



Spiral Hose Wrap					
Item Number	Part Number	Hose Size	Color	Case Quantity	Part Description
750520	R20SSG	1/2"	Black	100'	Wraps around hose to protect from abrasive ground surfaces. Easily transferable from hose to hose.
750523	R25SS-Y	3/4"	Yellow	100'	
750524	R32SG-B	1"	Blue	100'	
750528	R40SSG-Y	1 1/4"	Yellow	100'	
750530	R50SSG	1 1/2"	Black	100'	
750525	R63SSG-R	2"	Red	100'	



R32SG-B



R63SSG-R

SS Flex Connectors



Hex X Hex			
Item Number	Size	Length	Ends
200801	1 1/4"	12"	Hex MNPT
200799		18"	
200800		24"	
200828	2"	12"	X
200803		18"	
200835		24"	
200811	3"	12"	Hex MNPT
200810		18"	
200845		24"	



Hex X Hex

Pipe X Pipe			
Item Number	Size	Length	Ends
200300	1 1/4"	12"	Sch.80 MNPT Nipple
200305		18"	
200310		24"	
200315	2"	12"	X
200320		18"	
200325		24"	
200330	3"	12"	Sch.80 MNPT Nipple
200335		18"	
200340		24"	



Pipe X Pipe

Hex X Union			
Item Number	Size	Length	Ends
200350	1 1/4"	12"	Hex MNPT
200355		18"	
200360		24"	
200365	2"	12"	X
200370		18"	
200375		24"	
200380	3"	12"	3000# Union FNPT
200385		18"	
200390		24"	



Hex X Union

Pipe X Union			
Item Number	Size	Length	Ends
200405	1 1/4"	12"	Sch.80 MNPT Nipple
200410		18"	
200415		24"	
200420	2"	12"	X
200425		18"	
200430		24"	
200435	3"	12"	3000# Union FNPT
200440		18"	
200445		24"	



Pipe X Union

Other sizes, lengths, weld ends, & flange ends available.



Every SS Hose Is Tagged With The Following Info

- Working & Burst Pressure
- LPG/NH3 Service Only
- Pipe Size - Length
- S/T Item Number
- Manufacturing Date

Size	Working Pressure	Burst Pressure	Material
1 1/4"	850 PSI	3,398 PSI	Stainless Steel Double Braid
2"	829 PSI	3,318 PSI	
3"	536 PSI	2,145 PSI	

Reusable Hose Couplings

Item Number	Part Number	Coupling Type	Outlet Size	Hose Barb
117284	100-1/2	Standard (Type A)	1/2" MNPT	1/2"
117290	100-3/4		3/4" MNPT	3/4"
117296 •	100-1		1" MNPT	1"
117308	101	Swivel Type (Type B)	1 3/4" Female Acme	1/2"
117310	102			3/4"
117316	103			1"



100-1



103

2-Bolt Clamp Hose Couplings

Item Number	Part Number	Coupling Type	Outlet Size	Hose Barb
122196	ME3162-08	Clamp Type A Standard Outlet	1/2" MNPT	1/2"
122201	ME3162-12		3/4" MNPT	3/4"
122206 •	ME3162-16		1" MNPT	1"
117312 •	A221S			1 1/4"
122211 •	ME3162-20		1 1/4" MNPT	1 1/4"
122216	ME3162-24		1 1/2" MNPT	1 1/2"
122221	ME3162-32		2" MNPT	2"
122225	M3162-48	3" MNPT	3"	
122230	ME3162-12S	Clamp Type B Swivel Nut Outlet	1 3/4" F. Acme	3/4"
122212	ME3162-2018S			1 1/4"
122213	ME3162-2020S		2 1/4" F. Acme	
122241	ME3162-32S		3 1/4" F. Acme	2"
122245	M3162-48S		4 1/4" F. Acme	3"



ME3162-20



ME3162-2018S



ME3162-2020S

Swivel Hose Unions

Item Number	Part Number	Pipe Thread	Pipe Swivel
230151	2045-8-8S	1/2" MNPT	1/2" FNPT
230154	2046-8-8S	1/2" FNPT	
230152	2045-12-12S	3/4" MNPT	3/4" FNPT
230155	2046-12-12S	3/4" FNPT	
230153 •	2045-16-16S	1" MNPT	1" FNPT
230161 •	2046-16-16S	1" FNPT	
230157 •	2045-20-20S	1 1/4" MNPT	1 1/4" FNPT
230156 •	2046-20-20S	1 1/4" FNPT	
230263 •	2045-24-24S	1 1/2" MNPT	1 1/2" FNPT
230261 •	2046-24-24S	1 1/2" FNPT	
230158	2045-32-32S	2" MNPT	2" FNPT
230199	2046-32-32S	2" FNPT	



2045-16-16S



2046-16-16S

• Nominal Size Chart For Plumbing on Page 102.

Riser Valves							
Item Number	Part Number	Application	Inlet Connection	Outlet Connection	Excess Flow Rate	Repair Kit	1/4" FNPT Side Outlet
110733	A486N-45	Vapor	1 1/4" MNPT	1 1/4" FNPT	45 GPM	310-22 (119059)	Plugged
110586	AR491NP-70	Liquid Riser Service Only	2" MNPT	1" FNPT	70 GPM		
110588	AR492NP-70			1 1/4" FNPT	95 GPM	480-22 (119306)	
110591	AR493NR-95				110 GPM		
110593	AR494NR-110				110 GPM		

Valves Must Be Used With At Least A 2" Forged Steel Fitting.

Sizing Excess Flows - Refer To Local Codes.

DO NOT USE LIQUID RISER VALVES IN NURSE TANKS.



A486N-45

AR491NP-70

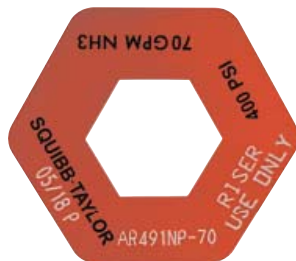
AR492NP-70

AR493NR-95
AR494NR-110

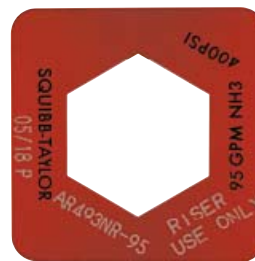
ID Tags



Triangle - 45 GPM



Hex - 70 GPM



Square - 95 GPM



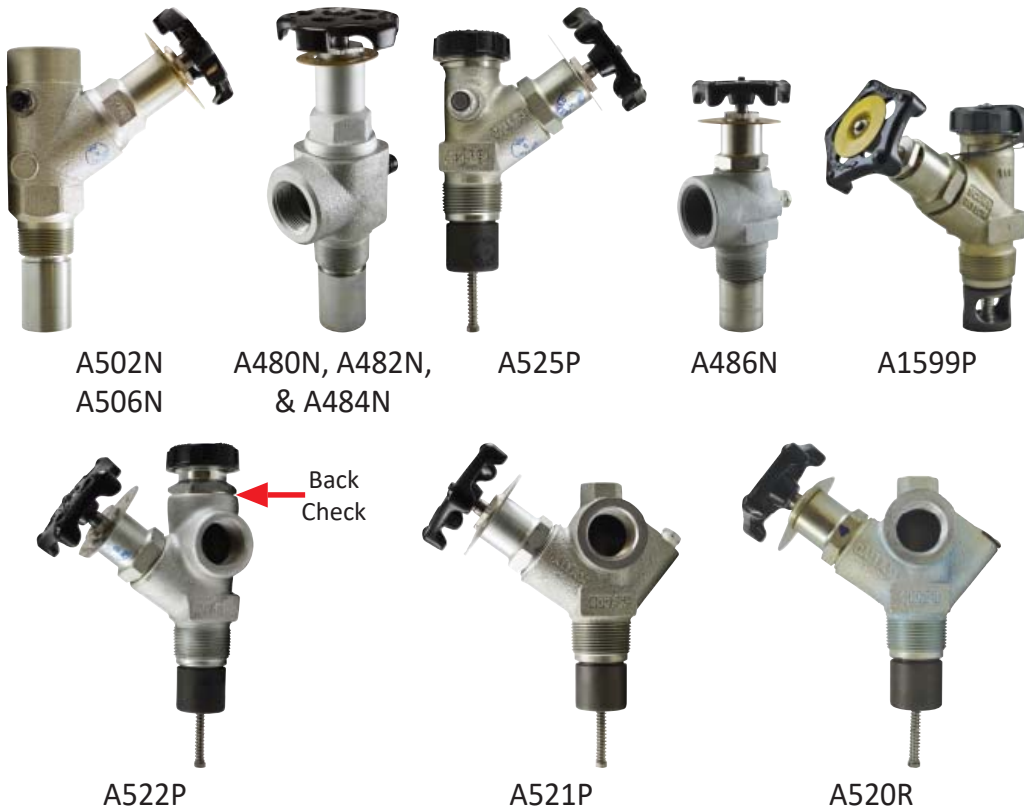
Clover - 110 GPM

Hi-Flow Nurse Tank Valves							
Item Number	Part Number	Application	Tank Connection	Outlet Connection	Fill Rate @ 50 PSI Δ	Excess Flow Rate	Repair Kit
111155 •	A525P	Filling	1 1/4" MNPT	1 3/4" M. Acme	100 GPM	45 GPM	310-22 (119059)
		Vapor Return			-----		
111153 •	A522P #	Filling	1 1/4" MNPT	1" FNPT	75 GPM		
		Liquid Withdrawal	1 1/4" MNPT	1 3/4" M. Acme	-----		
111187	A1599P #	Filling Only	1 1/4" MNPT	1 3/4" M. Acme	93 GPM	-----	
110776 •	A502N-45	Filling	1 1/2" MNPT	1 1/2" FNPT	150 GPM	45 GPM	
		Liquid Withdrawal			-----		
110777 •	A502N-60	Filling	1 1/2" MNPT	1 1/2" FNPT	150 GPM	60 GPM	480-22 (119306)
		Liquid Withdrawal			-----		
110778 •	A506N-45	Filling	1 1/2" MNPT	1 1/4" FNPT	150 GPM	45 GPM	
		Liquid Withdrawal			-----		
111150 •	A520R *	Liquid Withdrawal	1 1/4" MNPT	1" FNPT	-----	45 GPM	310-22 (119059)
111151 •	A521P			-----			
110733	A486N-45 +			1 1/4" FNPT	-----		
110771 •	A484N-45 ~			-----			
110772 •	A480N-45 ~		1 1/2" MNPT	1 1/4" FNPT	-----	60 GPM	480-22 (119306)
110773 •	A480N-60 ~			-----			
110774 •	A482N-45 ~			1 1/2" FNPT	-----	45 GPM	
110775 •	A482N-60 ~			-----	60 GPM		

* With Built-In Relief. # Back Check. ~ With A1327 Hydrostat Installed. + Low Profile Design For Older Tanks.

• Nominal Size Chart For Plumbing on Page 102.

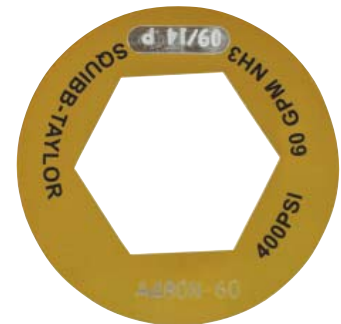
Sizing Excess Flows - Refer To Local Codes.



ID Tags



Triangle - 45 GPM



Circle - 60 GPM

Nurse Tank Internal Valves With 12 Volt Actuator

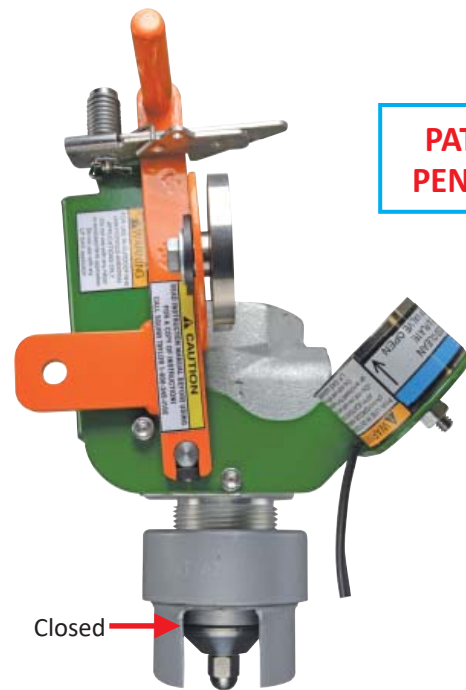


Nurse Tank Internal Valves With 12 Volt Actuator					
Item Number	Part Number	Tank Connection	Valve Outlet	Body	Excess Flow Rate
111900	A120-45A	1 1/4" MNPT	1 1/4" FNPT	Angle	45 GPM
111902	A120-45S			Straight	
111905	A125-45A	1 1/2" MNPT	1 1/4" FNPT	Angle	45 GPM
111907	A125-45S			Straight	
111910	A125-60A			Angle	60 GPM
111912	A125-60S			Straight	
111915	A15-45A	1 1/2" MNPT	1 1/2" FNPT	Angle	45 GPM
111917	A15-45S			Straight	
111920	A15-60A			Angle	60 GPM
111922	A15-60S			Straight	

WARNING - For Anhydrous Ammonia (NH3) Service Only



A120-45



A120-45

PATENT PENDING

12-Volt Wiring Accessories		
Item Number	Part Number	Part Description
113860	MSA	Main Switch Assembly – Tractor Cab
113862	10JA	10' Jumper Assembly – Wiring Harness
113865	15JA	15' Jumper Assembly – Wiring Harness
113868	20JA	20' Jumper Assembly – Wiring Harness
113870	1PT	1' Pigtail – Magnet Lead w/Connector
113873	YA	“Y” Assembly – Connects Dual Tanks Together



MSA



10JA, 15JA, & 20JA

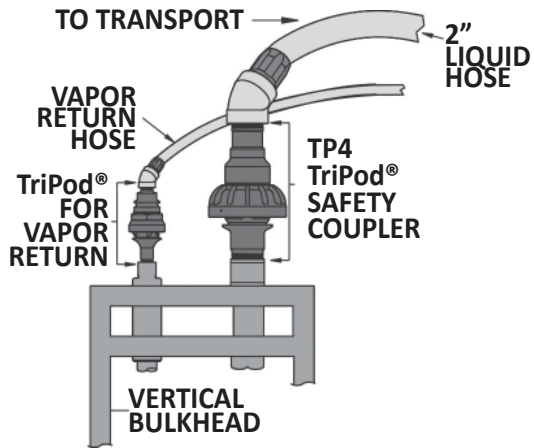


1PT



YA

Liquid Transfer Area Bulkhead				
Item Number	Part Number	Sleeve Style	Opening Sizes	Application
790000	1000	Horizontal	2" X 1 1/4"	Storage Transfer Area
790005	1001		3" X 2"	
790010	1002	Vertical	2" X 1 1/4"	
790015	1003		3" X 2"	
790020	1006	Horizontal	2" X 1 1/4" X 3"	
790024	1007		3" X 2" X 1 1/4"	



Typical Bulkhead Installation



Horizontal

TriPod Safety Couplers					
Item Number	Part Number	Inlet	Outlet	Capacity	Application
113051	TP5 *	1" MNPT	1" MNPT	55 GPM	Riser & Storage
113056	TP6 *			77 GPM	
113059	TP7 *	1 1/4" MNPT	1 1/4" MNPT	126 GPM	
113065	TP4	3" MNPT X 2" FNPT	3" MNPT X 2" FNPT	350 GPM	Storage

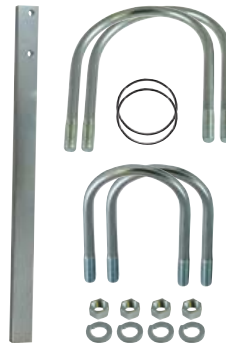
* Includes Bar / Hardware Kit For Riser Mounting.



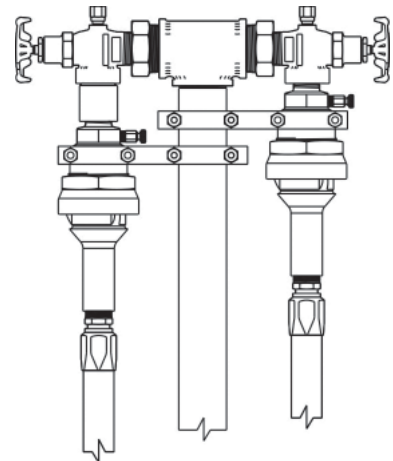
TP4



TP6



Hardware Kit



Typical Riser Installation

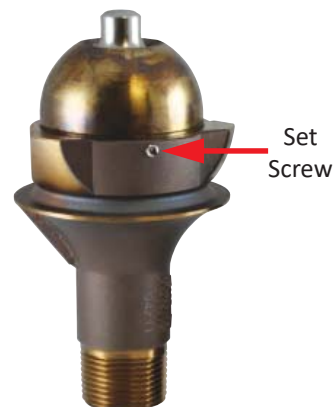
TriPod Parts							
Part Number	MFG Dates	Ball Socket O-Ring		Body O-Ring		O-Ring Kit	
		Item Number	Part Number	Item Number	Part Number	Item Number	Part Number
T55	10/93-6/94	119406	P5-086-RO	119412	P5-087-RO	119418	TP1-1304
TP1-1000	10/93-5/97	119406	P5-086-RO	119412	P5-087-RO	119418	TP1-1304
TP1-1001	6/97-4/01	119406	P5-086-RO	* Pinned - Factory Rebuild Only - Updates To TP5-1000 (Set Screw)			
TP5-1000	5/01-Present	119406	P5-086-RO	119433	P5-086-R1	119430	TP5-0022
T77	10/93-6/94	119408	P5-091-RO	119414	P5-090-RO	119420	TP2-1304
TP2-1000	10/93-2/98	119408	P5-091-RO	119414	P5-090-RO	119420	TP2-1304
TP2-1001	3/98-4/01	119408	P5-091-RO	* Pinned - Factory Rebuild Only - Updates To TP6-1000 (Set Screw)			
TP6-1000	5/01-Present	119408	P5-091-RO	119436	P5-152-RO	119431	TP6-0022
				119437	P5-153-RO		
T126	10/93-6/94	119410	TP3-2020	119416	TP3-2023	119422	TP3-1304
TP3-1000	10/93-6/94	119410	TP3-2020	119416	TP3-2023	119422	TP3-1304
TP3-1000	12/96-9/97	119423	P5-095-R1	119434	P5-094-RO	-----	-----
		119424	P5-096-R1	119435	P5-095-RO		
TP3-1001	4/98-4/01	119423	P5-095-R1	* Pinned - Factory Rebuild Only - Updates To TP7-1000 (Set Screw)			
		119424	P5-096-R1				
TP7-1000	5/01-Present	119423	P5-095-R1	119434	P5-094-RO	119432	TP7-0022
		119424	P5-096-R1	119435	P5-095-RO		

TP4 - Factory rebuild only.

TriPod Accessories						
Part Description	Item Number	Part Number	Item Number	Part Number	Item Number	Part Number
Female Half	113100	TP5-1100	113110	TP6-1100	113120	TP7-1100
Male Half	113105	TP5-1200	113115	TP6-1200	113125	TP7-1200
Bar & Hardware Kit	119400	TP1-1301	119402	TP2-1301	119404	TP3-1301
Male Ball Socket Kit	119425	TP55-1305	119427	TP77-1305	119429	TP126-1305



Female Half
TP5, TP6, & TP7



Male Half
TP5, TP6, & TP7

Shear Break Away

Item Number	Part Number	Inlet Connection	Outlet Connection	Flow	Valve Compatibility
113150	SB100	1" MNPT	1" FNPT	75 GPM	Up to 70 GPM Excess Flow Valves
113155	SB125	1 1/4" MNPT	1 1/4" FNPT	115 GPM	Up to 110 GPM Excess Flow Valves



SB125



SB125 Hardware Kit

Shear Break Away Halves			
Item Number	Part Number	Part Description	Outlet Connection
113160	SB100-1200	Lower Half	1" FNPT
113131	SB125-1200	Lower Half	1 1/4" FNPT



SB125 Mounted On A 2" Riser

Quick Acting Hose End Valves

Item Number	Part Number	Inlet	Outlet	Body Type	Repair Kit	
					Item Number	Part Number
110505	AL344P	1" FNPT	1" FNPT	Globe	119361	344-22
110515	AL345P			Angle		
110516	AL361	1 1/4" FNPT	1 1/4" FNPT			



AL345P



AL344P

Minimum Bleed Hose End Valves & RotaSeals



Riser Quick Jaw Hose End Valves							
Item Number	Part Number	Inlet	Outlet	Body Type	Valve Release	Repair Kit	
						Item Number	Part Number
110453	AL363S	1" FNPT	1 3/4" F. Acme	Angle	.75 CC	119351	363-20
110454	AL366S	1 1/4" FNPT					



AL363S Quick Jaw



Quick Jaw Open



ST571HS

Safety Fill Adaptor For Quick Jaw			
Item Number	Part Number	Inlet	Outlet
150634	ST571HS	1 3/4" M. Acme	1 3/4" F. Acme

Riser Minimum Bleed Hose End Valves							
Item Number	Part Number	Inlet	Outlet	Valve Release	Repair Kit		
					Item Number	Part Number	
110450	AL343AS	1" FNPT	1 3/4" F. Acme	.65 CC	119351	363-20	
110451	AL362AS	1 1/4" FNPT					



AL343AS

RotaSeal Hose Swivel				
Item Number	Part Number	Inlet & Outlet	Repair Kit	
			Item Number	Part Number
112051	AL107	3/4" NPT	112052	107-22
112056	AL109	1" NPT	112057	109-22
112061	AL111	1 1/4" NPT	112065	111-22



AL109



109-22

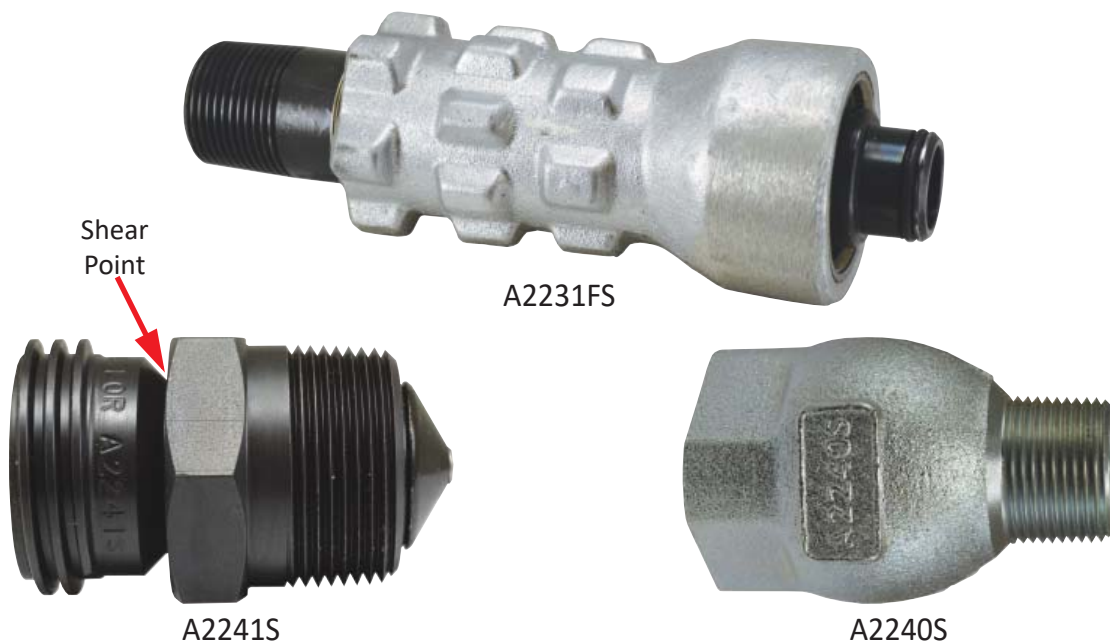
Shear Integral Check-Lock				
Item Number	Part Number	Inlet Connection	Outlet Connection	Description
110630 •	A2231FS *	1" MNPT	1 3/4" F. Acme	Safety Coupling
110635	A2232FS #	1 1/4" MNPT	2 1/4" F. Acme	
110631 •	A2241S	1 3/4" F. Acme	1 1/4" MNPT	Check Valve w/Acme O-Ring
110636	A2242S	2 1/4" F. Acme		
110632 •	A2240S	1 1/4" FNPT	1" MNPT	Bell Adaptor

* Works With A2241S or Any 1 3/4" Male Acme w/O-ring Instead of Gasket.

Works with A2242S or Any 2 1/4" Male Acme.

• **Nominal Size Chart For Plumbing on Page 102.**

Shear Integral Check-Lock Is Used When Tandem Nurse Tanks (One Behind The Other) Are Pulled. Does Not Allow Product Release From Back Tank When Shear Breaks From Check Valve. Does Not Work In A Straight Pull Situation.



Hose End Valve With Integral Shear Check-Lock



In-Line Breakaway Coupling

IB125 Universal Breakaway Coupling				
Item Number	Part Number	Part Description	Inlet Connection	Outlet Connection
113250	IB125 *	Breakaway Coupling	1 1/4" FNPT	1 1/4" FNPT
113017	IB125-1 +	Toolbar Adaptor	1 1/4" FNPT	1 1/4" FNPT
119449	P5-904-R0	Field Replacement O-Ring	----	----

* For Use w/Toolbar, Tandem Tanks, or Riser.

+ Used w/Traditional Toolbar L-Bracket. Retaining Ring Included.

MUST BE INSTALLED BETWEEN TWO HOSES – 14" MINIMUM



IB125



IB125-1



IB125 On Riser



IB125 On Tandem Tanks



IB125 On Toolbar

1 1/4" Flo-Max Safety Coupler				
Item Number	Part Number	Part Description	Inlet	Outlet
113026	FM126-1000	FM126 Less Bracket	1 1/4" FNPT	1 1/4" FNPT
113028	FM126-1006	FM126 With EZ Bracket		
113029	FM126-1007	FM126 With A1912(2) & A1327		
113030	FM126-1008	FM126 With A1912(2), A1327, & EZ Bracket		
113019	FM126-1500	FM126 EZ Bracket	Fits FM126, FM125 & Pioneer 1" or 1 1/4"	
111595	A2084	Spacer	Fits Pioneer 1 1/4" 4500-7	
111596	A2085	Spacer	Fits Pioneer 1" 4500-6	

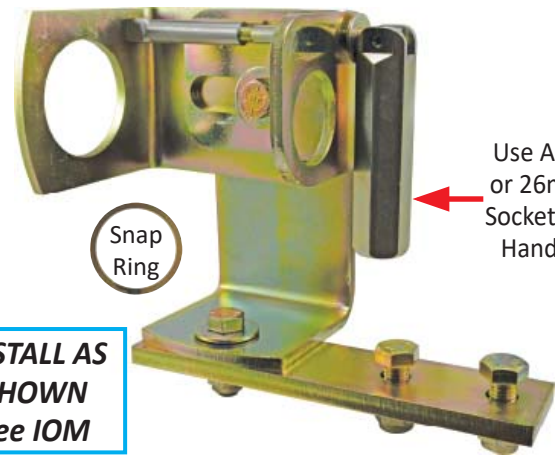
See Notification on Next Page.



FM126-1000



FM126-1007



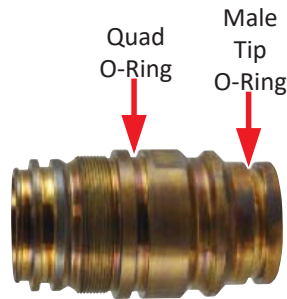
Use A 1" or 26mm Socket On Handle

INSTALL AS SHOWN
See IOM

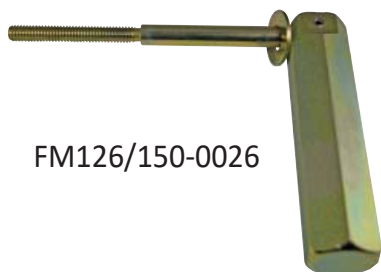
FM126 EZ Bracket



A2085



FM 125-5003



FM126/150-0026

FM 126/125 Parts		
Item Number	Part Number	Part Description
113044	FM125-0022	O-Ring & Tool Kit
113041	FM125-0023	Plunger Kit
113046	FM125-0024	O-Ring Kit
113218	FM126-0021 *	Complete Rebuild Kit
113048	FM P5-288-RO	Quad O-Ring
119395	ST108-2003	FM O-Ring Male Tip
113013	FM125-2000	Safety Decal
119394	FM125-5003	Male Plug
113047	SFM125/126-1100	Female Half
113049	SFM125/126-1200	Male Half
113022	RB1-2003	Bracket Retaining Ring
113217	FM126/150-0026	EZ Bracket Handle & Rod Kit

* Includes FM125-22 & FM125-23.

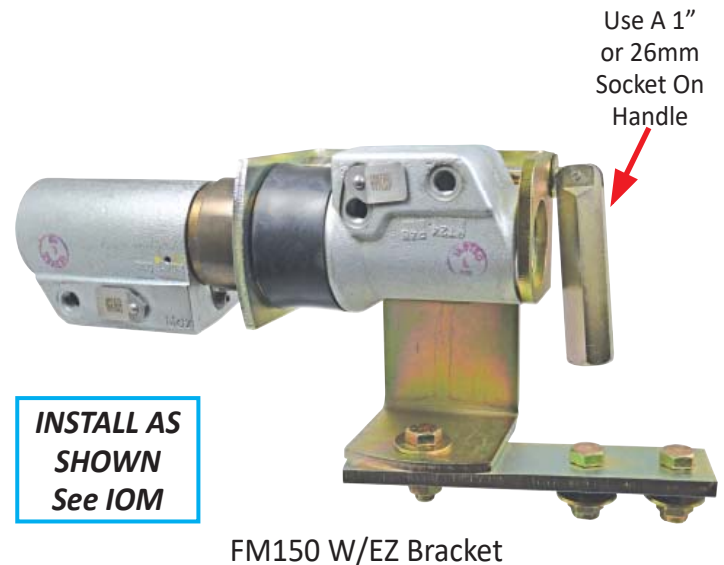
1 1/2" Flo-Max Coupler



1 1/2" Flo-Max Safety Coupler				
Item Number	Part Number	Part Description	Inlet	Outlet
113200	FM150-1000	FM150 Less Bracket	1 1/2" FNPT	1 1/2" FNPT
113202	FM150-1001	FM150 With EZ Bracket		
113201	FM150-1500	FM150 EZ Bracket	Fits FM150	

FM 150 Parts		
Item Number	Part Number	Part Description
113207	FM150-0022 *	O-Ring & Tool Kit
113208	FM150-0023 *	Plunger Kit
113209	FM150-0024	O-Ring Kit
113210	P5-304-R0	Quad O-Ring Male
113211	P5-305-R0	Quad O-Ring Female
113212	110-2003	O-Ring FM Male Tip
113214	FM150-2000	Safety Decal
113213	FM150-5003	Male Plug
113205	SFM150-1100	Female Half
113206	SFM150-1200	Male Half
113203	FM150-2003	Retaining Ring
113217	FM126/150-0026	EZ Bracket Handle & Rod Kit

* Order 113207 & 113208 For FM150 Complete Rebuild Kit.



Squibb-Taylor Seasonal Inspection & Maintenance Instructions Notification for FM126 & FM150.

As an equipment supplier for the Anhydrous Ammonia industry, Squibb-Taylor constantly strives to promote industry safety and improve our products.

1. End users should separate and connect Squibb-Taylor's FM125, FM126 and FM150 Flo-Max Couplers to ensure they are functioning as designed. Users shall clean and repair the couplers as required per the specific manufacturer's Installation, Operation & Maintenance (IOM) manual.
2. Ensure bleeder valves and hydrostats are installed properly, according to the specific manufacturer's IOM for each coupler.
3. Ensure the mounting bracket and the discharge hose are in accordance with the specific manufacturer's IOM for each coupler. In order for each coupler to function as designed, it must be mounted to allow separation in a straight pull.
4. End users shall ensure that there are no obstructions to interfere with the movement of coupler at the beginning of each new season. This will ensure that any changes made to the tool bar will not obstruct the required movement as per the manufacturer's IOM for each coupler. Do not mount Flo-Max on Tool Bar Hitch.
5. Check the swing checks in both the male and female halves of each coupler by pushing on the flapper several times to ensure they are opening and closing fully in accordance with the specific manufacturer's IOM for each coupler.

End users, Distributors, & Retailers are reminded to follow all of the instructions contained within each product IOM, which can be found at www.squibbtaylor.com, to assist you in checking that your couplers are working & installed as per the manufacturer's requirements prior to each new season.

If, after reviewing and following the specific IOM instructions, the end user should have any questions regarding any of the information contained within this notice or any IOM, please call your local Distributor or contact Squibb-Taylor at 1.800.345.8105 for clarification or additional assistance.

Equa-Flo Manifolds				
Item Number	Part Number	Inlet Pipe Size	Outlet Size	Part Description
111670	A1804-1000 *	1" MNPT	1/4" FNPT	21-Port Junior
111665	A1805-1000 *			16-Port Sweet 16
111259	1805-1004			16-Port Non Equa-Flo Manifold

* Includes Inserts .810 (Installed from factory), .640, & .470. See IOM To Determine Best Insert To Use.



A1804

1st Of It's Kind For Accurate & Simple NH3 Distribution.



A1805

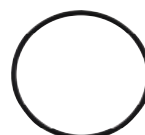


Internal View of Equa-Flo Manifold With .810 Insert



1805-1004 Open Hole Center

Equa-Flo Parts		
Item Number	Part Number	Part Description
111676	P5-196-RO	O-Ring
111677	A1804-2001	.810 Tall Insert
111678	A1804-2002	.640 Medium Insert
111679	A1804-2003	.470 Short Insert
111680	A1804-5004	Restrictor Cap



P5-196-RO



A1804-5004



A1804-2003



A1804-2002



A1804-2001

Manifold Hose Nipples			
Item Number	Part Number	Manifold Connection	Applicator Hose
230134	E006	1/4" MNPT	1/4"
111510	A2046S		3/8"
111511	A2047		7/16"



A2046S

Splitters, Y Fitting, & SkyTrak

Flow Splitters			
Item Number	Part Number	Inlet Pipe Size	Part Description
111655	A1802	1" MNPT	2-Way
111660	A1803		3-Way
111675	A1806		4-Way
111669	A1807		5-Way
111656	A1812	1 1/4" MNPT	2-Way
111661	A1813		3-Way
111662	A1816		4-Way
111668	A1817		5-Way

Allows Same Exact Amounts Of NH3 To Tool Bar Manifolds



Splitter

More Accurate Than Tees & Crosses.

Hi-Flow Inline Y Fitting			
Item Number	Part Number	Inlets	Outlet
111725	Y-125	1 1/4" FNPT	1 1/4" FNPT
111726	Y-150	1 1/2" FNPT	1 1/2" FNPT



Y-150

Much Less Flow Restriction Than A Tee.

SkyTrak 9Hz Model		
Item Number	Part Number	Connector Type
113592	SK2-1009-D	DICKEY-john® — 4 Pin
113593	SK2-1009-R	Raven — 3 Pin

- Updates 9 times per second.
- Magnetic Mount.
- Easy Installation.

GPS Speed Sensor More Accurate Than A Radar Gun.



SkyTrak



Manufacturing Date



SkyTrak 9Hz



Back of Power / Status Indicator



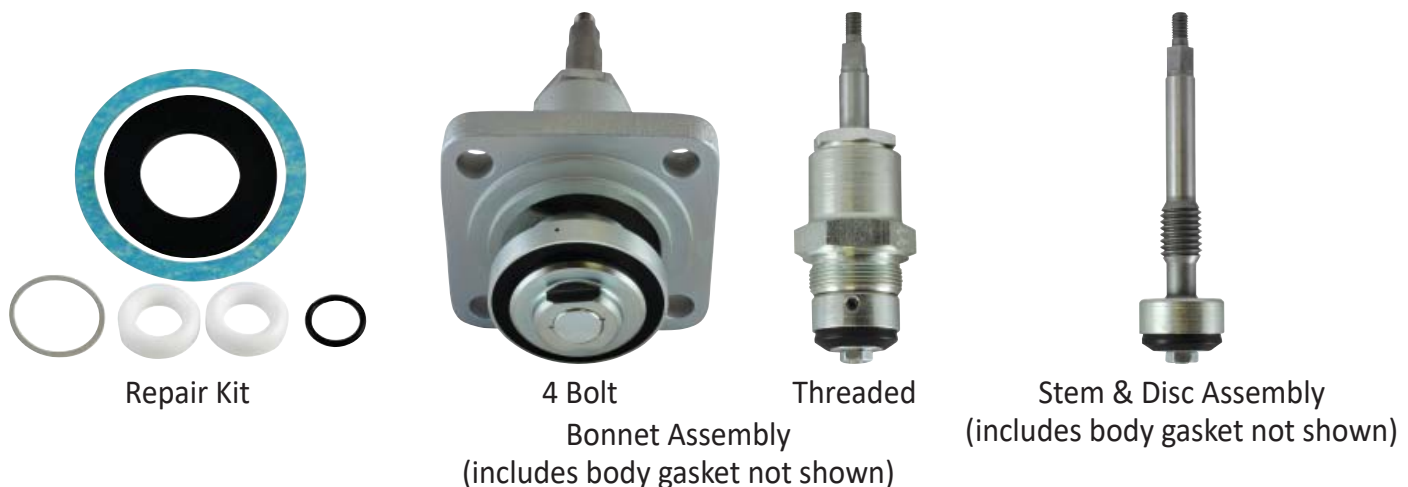
DICKEY-john® Plug - 4 Pin



Raven Plug - 3 Pin

Globe Valves								
Item Number	Part Number	Inlet & Outlet	Repair Kit		Bonnet Assembly		Stem & Disc Assembly	
			Item Number	Part Number	Item Number	Part Number	Item Number	Part Number
110250	AL306P	1/2" FNPT	119039	308-22	119040	308-25	119041	308-26
110255	AL308P	3/4" FNPT						
110280 •	AL310P	1" FNPT	119059	310-22	119060	310-25	119061	310-26
110320 •	AL312P	1 1/4" FNPT	119109	312-22	119110	312-25	119111	312-26
110355 •	AL314P	1 1/2" FNPT	119125	314-22	119126	314-25	119127	314-26
110375	AL316P	2" FNPT	119169	316-22	119170	316-25	119171	316-26
110378	AL316FP	2" ANSI Flange						
110415	AL320P	3" FNPT	119217	320-22	119218	320-25	119219	320-26
110420	AL320FP	3" ANSI Flange						
Economy								
110535	AL410P	1/2" FNPT	119279	410-21	119281	410-25	119280	410-23
110555	AL412P	3/4" FNPT						

• Nominal Size Chart For Plumbing on Page 102.



Angle Valves

Angle Valves								
Item Number	Part Number	Inlet & Outlet	Repair Kit		Bonnet Assembly		Stem & Disc Assembly	
			Item Number	Part Number	Item Number	Part Number	Item Number	Part Number
110252	AL307P	1/2" FNPT	119039	308-22	119040	308-25	119041	308-26
110260	AL309P	3/4" FNPT						
110300	AL311P	1" FNPT	119059	310-22	119060	310-25	119061	310-26
110335	AL313P	1 1/4" FNPT	119109	312-22	119110	312-25	119111	312-26
110365	AL315P	1 1/2" FNPT	119125	314-22	119126	314-25	119127	314-26
110395	AL317P	2" FNPT	119169	316-22	119170	316-25	119171	316-26
110398	AL317FP	2" ANSI Flange						
110425	AL321P	3" FNPT	119217	320-22	119218	320-25	119219	320-26
110429	AL321FP	3" ANSI Flange						
Economy								
110540	AL411P	1/2" FNPT	119255	410-21	119281	410-25	119280	410-23
110565	AL413P	3/4" FNPT						



AL411P



AL311P



AL317P



AL321FP



Repair Kit



4 Bolt
Bonnet Assembly
(includes body gasket not shown)



Threaded



Stem & Disc Assembly
(includes body gasket not shown)

Hi-Flow Hose End Globe Valves								
Item Number	Part Number	Inlet	Outlet	Body Material	Repair Kit		Bonnet Assembly	
					Item Number	Part Number	Item Number	Part Number
110333 •	A329AL	1" FNPT	1" FNPT	Aluminum ~	119059	310-22	119060	310-25
110334 •	A330	1 1/4" FNPT	1 1/4" FNPT	Ductile Iron	119228	330-22	110339	A330-25
110336 •	A331							
110341 •	A332 *							
110338 •	A333AL	1 1/2" FNPT	1 1/2" FNPT	Aluminum ~	119236	333-22	119308	480-25
110337 •	A334AL							

* Only Has 1 Plug. • **Nominal Size Chart For Plumbing on Page 102.**

~ Light Weight For Easier Handling.



A329AL



A331P



A334AL

Hi-Flow Hose End Valve Assemblies								
Item Number	Part Number	Inlet	Outlet	Body Material	Repair Kit		Bonnet Assembly	
					Item Number	Part Number	Item Number	Part Number
110857 •	A1520	1" FNPT	1 3/4" F. Acme	Aluminum ~	119059	310-22	119060	310-25
110860 •	A1525	1 1/4" FNPT	2 1/4" F. Acme	Ductile Iron	119228	330-22	110339	A330-25
110862 •	A1527							
110901 •	A1528	1 1/4" FNPT	2 1/4" F. Acme	Aluminum ~	119236	333-22	119308	480-25
110906 •	A1529	1 1/2" FNPT						

• **Nominal Size Chart For Plumbing on Page 102.**

~ Light Weight For Easier Handling.



A1520



A1525, A1527, A1528, & A1529

Filler Couplings				
Item Number	Part Number	Female Acme	Inlet Connection	Length
110641	A1130FS	1 3/4"	3/4" MNPT	7 3/16"
110645 •	A1131F		1" MNPT	
110650 •	A1132F	2 1/4"	1 1/4" MNPT	
110651 •	A1133F		1 1/2" MNPT	

• Nominal Size Chart For Plumbing on Page 102.



A1131F



A1132F

Acme Lock for S/T Filler Couplings			
Item Number	Part Number	Female Acme	Inlet Connection
110655	134AL	1 3/4"	1" MNPT

The Acme Lock Stops Female & Male Acme's From Vibrating Loose In NH3 Field Application.

One Step Operation.



Acme Lock Installed on A1131F.

Relief Valves						
Item Number	Part Number	Application	Size MNPT	Relief Setting	Flow Capacity - CFM Air (ASME)	For Tanks with Surface Area Up To: Sq. Ft.
110815	A1327	Piping & Hose	1/4"	350 PSI	----	----
110816	A1328			450 PSI	----	----
110820	A1329			312 PSI	----	----
110750	A1301A	Storage & Nurse Tanks	3/4"	250 PSI	1,884	239
110755	A1301B			265 PSI	1,937	250
110795	A1310A		1 1/4"	250 PSI	5,363	882
110800	A1310B			265 PSI	5,924	914



A1301 & A1310 Have CRN #'s

Refer to Appendix A on Page 101 to Figure Tank Surface Area.

Relief Valve Manifold			
Item Number	Part Number	Includes	Tank Connection
110835	A1416	Manifold	2" FNPT *



* Includes 2" X Close EH Seamless Nipple. Packing Kit 1415-2007 (3 Per Set).

CFM Based on One Relief – Don't get credit for Two.

Rain Caps		
Item Number	Part Number	Fits
110818	1327-2002	A1327, A1328, & A1329
110770	1301-12	A1301A
122665	P145	& A1301B
110810	1310-12	A1310A & A1310B



Relief Valve Adaptor				
Item Number	Part Number	Inlet MNPT	Outlet FNPT	Relief Outlet FNPT
110825 •	A2031	1"	1"	1/4"
110830 •	A2032	1 1/4"	1 1/4"	
110832 •	A2034	1 1/2"	1 1/2"	

• Nominal Size Chart For Plumbing on Page 102.

Pipeaway Adaptor		
Item Number	Part Number	Inlet & Outlet
110811	A1310-20	2" FNPT



Relief Valves



Relief Valves						
Item Number	Part Number	Application	Size MNPT	Relief Setting	Flow Capacity - SCFM / Air	Suitable For Tanks w/Surface Area Up To:
					U.L. @ 120% Set Pressure	
110845	STA1311A	Storage & Nurse Tanks	1 1/4"	250 PSI	6,330	1,010
110846	STA1311B			265 PSI	6,545	1,045

Relief Valve Accessories		
Item Number	Part Number	Fits
110847	ME904S-16-118	Plug w/Safety Notice
110848	MEP178	Pipeaway w/2" FNPT Outlet
110849	MEV125-109	Rain Cap for STA1311A & STA1311B



STA1311A

Relief Valve Quad-Port Manifold						
Item Number	Part Number	Includes	Tank Connection	Relief Setting	Relief Valves	
					Part Number	# of Valves
110840	ME904S-16	Manifold Only	2"	----	----	----
110841	ME904S-16-3A	Manifold & Reliefs		250 PSI	STA1311A	3
110842	ME904S-16-3B	Manifold & Reliefs		265 PSI	STA1311B	3
110843	ME904S-16-4A	Manifold & Reliefs		250 PSI	STA1311A	4
110844	ME904S-16-4B	Manifold & Reliefs		265 PSI	STA1311B	4



ME904S-16-118



ME904S-16



ME904S-16-4A

Fisher Relief Valves							
Item Number	Part Number	Application	Size MNPT	Relief Setting	Flow Capacity - CFM Air		For Tanks with Surface Area Up To: Sq. Ft.
					U.L.	ASME	
121050	H722-250	Bobtail & Transport Trucks	2"	250 PSI	3,635	3,023	171
121052	H722-265			265 PSI	3,556	3,386	166
121055	H733-250		3"	250 PSI	10,150	8,827	598
121062	H833N-3-265			265 PSI	10,940	9,332	655
121047	H733F3-250		3" CL300 RF Flange	250 PSI	10,150	8,827	598
121048	H733F3-265			265 PSI	10,940	9,332	655
121043	H5114-250	Bulk Storage	2"	250 PSI	10,530	9,724	625
121045	H5114-265			265 PSI	11,300	10,280	681



H722-265



H733-250



H833N-3-F3-265



H5114-265

Fisher Accessories			
Item Number	Part Number	Part Description	Fits
122805	P297	Rain Cap	H722 Series
122820	P304	Wrench	
122810	P298	Rain Cap	H733, H733F3, H833, & H833F3 Series
122825	P305	Wrench	H733 & H833 Series
122815	P299	Rain Cap	H5114 Series
127983	T1056138992	3" Spirotallic Flange Gasket	H733F3 & H833F3 Series
127990	Garlock 5500	3" Fiber Flange Gasket	
122615	MEP104-24	Pipeaway Adaptor 3" FNPT	H5114 Series



P297 & P298



P299



P304 & P305



MEP104-24

MEC Relief Valves						
Item Number	Part Number	Application	Size MNPT	Relief Setting	Flow Capacity - SCFM / Air #	Trim Material
					U.L. @ 120% Set Pressure	
121099	MEV200SSIR/250	Bulk Storage	2"	250 PSI	10,925	Nitrile
121088	MEV200SSIR/265			265 PSI	11,475	
121090	MEV250CN/250		2 1/2"	250 PSI	10,333	
121091	MEV250CN/265			265 PSI	10,948	
150818	ME904S-4F/250CN		4" 300 LB. Flange	250 PSI	27,740	
121095	MEV200FIRK/250 *	Bobtail & Transport Tanks	2" MNPT	250 PSI	4,460	Kalrez®
121097	MEV200FIRK/265 *			265 PSI	4,670	
121072	MEV300FIRK/250 *		3" MNPT	250 PSI	10,865	Kalrez®
121071	MEV300FIRK/265 *			265 PSI	11,600	
121081	MEV300FIRK-3F/250 *		3" 300LB. Flange	250 PSI	10,865	Kalrez®
121083	MEV300FIRK-3F/265 *			265 PSI	11,600	

* Seat Material not UL Listed.

Flow rates are shown for bare relief valves.

Kalrez® is a trademark of DuPont.



MEV200SSIR/250 MEV250CN/265

ME904S-4F/250CN

MEV300FIR/250 MEV300FIR-3F/265

MEC Accessories			
Item Number	Part Number	Part Description	Fits
150855	MEV200FIR-09	Rain Cap	MEV200 Series
122821	MEP200FIR	Wrench	
121089	MEV300FIR-09	Rain Cap	MEV300 Series
122826	MEP300FIR	Wrench	
127983	T1056138992	3" Spirotallic Flange Gasket	MEV300-3F Series
127990	Garlock 5500	3" Fiber Flange Gasket	
122615	MEP104-24	Pipeaway Adaptor 3" FNPT	MEV200SSIR



MEP200FIR



MEP104-24



MEV200FIR-09

Excess Flow Valves				
Item Number	Part Number	Inlet Connection	Outlet Connection	Closing Flow
111335 •	A1705-45	1 1/4" MNPT	1 1/4" FNPT	45 GPM
111381	A1717-1120	2" MNPT	2" FNPT	110 GPM
111356	AL1710			95 GPM
111340 •	A1706	1 1/4" MNPT	1 1/4" MNPT	50 GPM
111380 •	A1718	1 1/2" MNPT	1 1/2" MNPT	60 GPM
111347	A1708-95	2" MNPT	1 1/4" FNPT	95 GPM
111375	A1715-165	3" MNPT	2" MNPT	165 GPM
111382	A1715-225			225 GPM
111361	AL1711	2" MNPT	2" MNPT X 1 1/4" FNPT	95 GPM
111364	A1713-165	3" MNPT	3" MNPT X 2" FNPT	165 GPM
111365	A1713-225			225 GPM

• Nominal Size Chart For Plumbing on Page 102.

Sizing Excess Flows - Refer To Local Codes.



A1717



AL1710



A1713

Back Check Valves					
Item Number	Part Number	Inlet Connection	Outlet Connection	Flow Indicator	Seat Type
111383	A1725	3/4" MNPT	3/4" FNPT	No	Soft Seats
111385 •	A1727	1 1/4" MNPT	1 1/4" FNPT		
111390	A1728	2" MNPT	2" FNPT		
111395	A1729	3" MNPT	3" FNPT		
111400	A1733	2" MNPT	2" MNPT		
111398 •	A1730	1 1/4" FNPT	1 1/4" FNPT		
111399 •	A1731	1 1/2" FNPT	1 1/2" FNPT		

• Nominal Size Chart For Plumbing on Page 102.



A1730



A1729



A1733

Fisher Back Check Valves						
Item Number	Part Number	Application	Inlet Connection	Outlet Connection	Flow Indicator	Seat Type
120840	G200-10	In-Line Full Flow Swing Check	1 1/4" FNPT	1 1/4" FNPT	No	Soft Seats
120845	G200-16		2" FNPT	2" FNPT		
120847	G200-24		3" FNPT	3" FNPT		
120850	G201-10		1 1/4" FNPT	1 1/4" FNPT	Yes	
120855	G201-16		2" FNPT	2" FNPT		
120860	G201-24		3" FNPT	3" FNPT		



G200-16



G201-16

MEC Swing Check Valves							
Item Number	Part Number	Inlet Connection	Outlet Connection	Material	Flow Indicator	Seat Type	
154163	ME981-6	3/4" FNPT	3/4" FNPT	Ductile Iron	Yes	Soft Seats	
154168	ME981-8	1" FNPT	1" FNPT				
154175	ME981-10	1 1/4" FNPT	1 1/4" FNPT	Ductile Iron			
154180	ME981-16	2" FNPT	2" FNPT	Cast Steel			
154190	ME981-24	3" FNPT	3" FNPT	Ductile Iron			
154205	ME981-901	Dial Indicator for 1 1/4" to 3" Valves					



ME981-6



ME981-10

Male Acme X MNPT						
Item Number	Part Number	Male Acme Connection	MNPT Connection	Acme Gasket	Steel Acme Cap & Chain	Plastic Acme Cap & Chain
111415	A2000S	1 3/4"	1/2"	ST-1102A-16	A1152C	A2080C
111420	A2001S		3/4"			
111425 •	A2002		1"			
111431 •	A2003S		1 1/4"			
111569 •	A2076		1 1/2"			
111537 •	A2059	2 1/4"	1"	ST-1E8126	A1175CS	ST-1177C
111539 •	A2060S		1 1/4"			
111570 •	A2077		1 1/2"			
111546	A2063S	3 1/4"	2"	ST-1E8128	A1176CS	ST-ME106-1
111556	A2065S		3"			



A2077

High Flow Pipe Strainers on Page 31.

Acme O-Rings available on Page 97.

• **Nominal Size Chart For Plumbing on Page 102.**

Male Acme X Male Acme						
Item Number	Part Number	Male Acme Connection	Male Acme Connection	Acme Gasket	Steel Acme Cap & Chain	Plastic Acme Cap & Chain
111436	A2005S	1 3/4"	1 3/4"	ST-1102A-16	A1152C	A2080C
111446	A2007S	2 1/4"	2 1/4"	ST-1E8126	A1175CS	ST-1177C
122107	ST-M536-26	3 1/4"	3 1/4"	ST-1E8128	A1176CS	ST-ME106-1
122109	M536-34	4 1/4"	4 1/4"	T10948	M625-34	-----



A2005S

Acme O-Rings available on Page 97.

Male Acme X FNPT						
Item Number	Part Number	Male Acme Connection	FNPT Connection	Acme Gasket	Steel Acme Cap & Chain	Plastic Acme Cap & Chain
150571	ST-M526-6	1 3/4"	3/4"	ST-1102A-16	A1152C	A2080C
111466 •	A2013S		1"			
111561	A2074S	3 1/4"	2"	ST-1E8128	A1176CS	ST-ME106-1
111566	A2075S		3"			



A2074S

High Flow Pipe Strainers on Page 31.

Acme O-Rings available on Page 97.

• **Nominal Size Chart For Plumbing on Page 102.**

Adaptor Caps						
Item Number	Part Number	Male Acme Connection	Female Acme Connection	Acme Gasket	Steel Acme Cap & Chain	Plastic Acme Cap & Chain
150573	ST-M611S	1 3/4"	2 1/4"	ST-1102A-16	A1152C	A2080C
122131	ST-M622		3 1/4"			
122135	M623	3 1/4"	4 1/4"	ST-1E8128	A1176CS	ST-ME106-1



ST-M622

Acme O-Rings available on Page 97.

Acme Caps & Filler Couplings



Female Acme Caps				
Female Acme	Item Number	Part Number	Item Number	Part Number
	Plastic Cap		Steel Cap	
1 3/4"	111580	A2080	-----	-----
	111585	A2080C *	110680	A1152C *
2 1/4"	111586	ST1177C-1 *	110696	A1175CS *
3 1/4"	-----	-----	110701	A1176CS *
4 1/4"	-----	-----	122140	M625-34



A1176CS



A1152C

* Chain included.



A2080C



ST1177C-1

Male Acme Plugs				
Male Acme	Item Number	Part Number	Item Number	Part Number
	Plastic Plug		Aluminum Plug	
1 3/4"	121711	ST-M179-1 *	121792	ST-M239
2 1/4"	121716	ST-M180-1 *	-----	-----
3 1/4"	121728	ST-M181-1 *	Steel Plug	
4 1/4"	-----	-----	122095	M535-34



ME239



ME180-1

* Chain included.

Filler Couplings				
Item Number	Part Number	Female Acme	Inlet Connection	Length
110665	A1149F	1 3/4"	1/2" MNPT	3 1/8"
110670	A1150FS		3/4" MNPT	
110675 •	A1151F		1" MNPT	
110683 •	A1156FS	2 1/4"	1 1/4" MNPT	3 1/4"
110686	A1157FS	3 1/4"	2" MNPT	3 11/16"
122155	M634-24	4 1/4"	3" FNPT	2"
110641	A1130FS	1 3/4"	3/4" MNPT	7 3/16"
110645 •	A1131F		1" MNPT	
110650 •	A1132F	2 1/4"	1 1/4" MNPT	
110651 •	A1133F		1 1/2" MNPT	
111433 •	ST2004S	1 3/4"	2 1/4" M. Acme	2"

• Nominal Size Chart For Plumbing on Page 102.



A1151F



A1131F



A1157FS



ST2004S

Hi-Flow Pipe Strainers

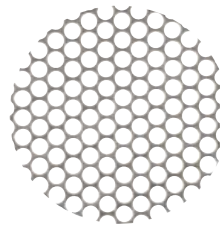
Item Number	Part Number	Inlet	Outlet	Replacement Strainer Screen & Ring			
				Item Number	Part Number	Item Number	Part Number
111396	AL1750	2" FNPT	2" MNPT	-----		-----	
111547	A2063-STR	2" MNPT	3 1/4" Male Acme	150588	ME251-02 Strainer Screen	150589	ME251-03 Retaining Ring
111549	A2065-STR	3" MNPT					
111551	A2074-STR	2" FNPT					
111553	A2075-STR	3" FNPT					



AL1750



A2063-STR



ME251-02



ME251-03

Ductile Iron Y-Strainers - Meet ASTM 395

MEC Ductile Iron Y-Strainers - 600 WOG

Item Number	Size, MNPT	Plug Size	Item Number	Size, MNPT	Plug Size
200710	1/4" FNPT *	3/8"	200707	1 1/4" FNPT	3/4"
200714	1/2" FNPT	1/2"	200728	1 1/2" FNPT	1"
200716	3/4" FNPT		200725	2" FNPT	
200712	1" FNPT	3/4"	200726	3" FNPT	1 1/4"

40 Mesh standard - 20 & 80 Mesh screen sizes available. *Has 20 mesh screen. Plugs sold on Page 55.



200725

Titan Ductile Iron Y-Strainers - 640 WOG

Item Number	Size, MNPT	Plug Size	Item Number	Size, MNPT	Plug Size
200902	1/4" FNPT	1/4"	200927	1 1/4" FNPT	3/4"
200907	3/8" FNPT		200932	1 1/2" FNPT	
200912	1/2" FNPT		200937	2" FNPT	1"
200917	3/4" FNPT	3/8"	200942	2 1/2" FNPT	1 1/2"
200922	1" FNPT		200947	3" FNPT	

40 Mesh standard - 20 & 80 Mesh screen sizes available. Plugs Installed From Factory.



200937

Wheel Chocks, Bracket, & Accessories



Wheel Chocks						
Item Number	Part Number	Part Description	Material	Width	Length	Height
360203	WC2556A	Wheel Chocks	Rubber	7"	12 1/2"	8 3/4"
360200	ME200		Aluminum	7"	10"	7"



ME200



ME200B

Wheel Chock Bracket						
Item Number	Part Number	Part Description	Height	Length	Width	Wheel Chocks Included
360205	ME200B	Holds 2 ME200 Wheel Chocks	7 3/4"	20"	7"	No
360215	ME200BK		9 3/4"	20"	8"	Yes

Wheel Chock Accessories	
Item Number	Part Description
650097	Caution Chock Wheels Decal
650098	Sign Post — For Caution Wheel Chocks



650097



650098

Jomar Stainless Steel Ball Valves										
	Part Description	1/4"	3/8"	1/2"	3/4"	1"	1 1/4"	1 1/2"	2"	3"
Item Number	Full Port	223142	223143	223138	223131	223132	223133	223139	223134	-----
Part Number		100-961	100-962	100-963	100-964	100-965	100-966	100-967	100-968	
Item Number	3 Piece Full Port	223725	223728	-----	223718	223724	223719	223721	223720	223723
Part Number		500-301	500-302		500-304	500-305	500-306	500-307	500-308	500-310



100-966



500-306



73A-106

Apollo Steel Ball Valves										
	Part Description	1/4"	3/8"	1/2"	3/4"	1"	1 1/4"	1 1/2"	2"	3"
Item Number	Carbon Steel Standard Port	198450	198455	198460	198465	198470	198475	198480	198485	-----
Part Number		73A-101	73A-102	73A-103	73A-104	73A-105	73A-106	73A-107	73A-108	

Needle Valves				
Item Number	Part Number	Body Style	Inlet	Outlet
118203	V556CDT-H7	Globe	1/4" MNPT	1/4" FNPT
118204	V552CDT-H7	Angle		



V556CDT-H7

In-Line Sight Flow		
Item Number	Part Number	Description
111401	A1742	2" Sight Flow
150622	ME875S-16	2" Sight Flow Swing Check *
111402	A1743	3" Sight Flow
150623	ME875S-24	3" Sight Flow Swing Check *

* Soft Seat.



A1742



ME875S-16

Parking Plugs, Acme Wrench, & Valve Locks



Parking Plugs			
Item Number	Part Number	Size	Includes
111461	A2014	1 3/4" Male Acme	----
111462	A2014B		Bolt, Nut, & Washer
111500	A2024	2 1/4" Male Acme	-----



A2014B



A2024

Acme Spanner Wrench			
Item Number	Part Number	Fits	Length
122631	MEP120B	1 3/4", 2 1/4", 3 1/4" & 4 1/4" Acme	17 1/2"
122638	MEP120C	3 1/4" Acme	13 3/4"
320305	J Wrench		12"



MEP120B



MEP120C



J Wrench

Valve Locking Device	
Item Number	Description
360137	Fits Standard Globe, Angle, & Tank Valves From 3/4" To 2" (Up To 4 3/4" Handwheel Diameter)
360138	Fits Standard 3" Globe & Angle Valves (Up To 8" Handwheel Diameter)



360138

Liquid Level Vent Valves

Item Number	Part Number	Description	Size
111405	A1910S	Fixed Liquid Level Gauge - 12" Diptube	1/4" MNPT
111410	A1911	Liquid Level Valve - Knurled Handle	
111411	A1912	Liquid Level Valve - Tee Handle	
110437	AL404	Liquid Level Valve	3/4" MNPT
110438	AL404-1	AL404 with 0-400 PSIG Pressure Gauge & A1911	



A1910S



A1911



A1912



AL404



AL404-1

Pressure Gauges

Item Number	Range PSI	Dial Size	Dial Type	Size MNPT
290615	0-60	2 1/2"	Dry	1/4" Bottom Mount
290620	0-160			
290625	0-400			
290632	0-60	4"		
290633	0-160			
290634	0-400			
290648	0-60	2 1/2"	Liquid Filled	1/4" Back Mount
290647	0-400			
290636	0-400		Dry	
290635	0-400			
290646	Replacement Lens For Pressure Gauges			



290625



290632



290635

Gauge Snubber

Item Number	Part Number	Type	Inlet	Outlet
141031	ST-1449	Stainless Steel w/ 54 Drill	1/4" MNPT	1/4" FNPT



ST-1449

Container Thermometers

Item Number	Part Number	Tank Connection	Stem Length
121245	ST-J700	1/2" MNPT	4"
121250	ST-J701		6"



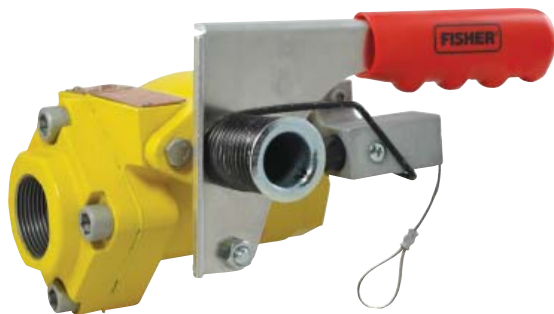
ST-J700

Fisher Emergency Shutoff Valves



Fisher Emergency Shutoff Valves			
Item Number	Part Number	Body Size	NH3 Flow Rate
122586	N551-10	1 1/4" FNPT	131 GPM @ 2 psid
122589	N551-16	2" FNPT	258 GPM @ 2 psid
122596	N551-24	3" FNPT	745 GPM @ 2 psid
122583	N562-16 *	2" FNPT X 2" FNPT	151 GPM @ 10 psig
122588	N562-26 *	2" FNPT X 3 1/4" Male Acme	151 GPM @ 10 psig
122599	N563-16 *	2" FNPT X 2" FNPT	177 GPM @ 10 psid
122597	N563-26 *	2" FNPT X 3 1/4" Male Acme	177 GPM @ 10 psid

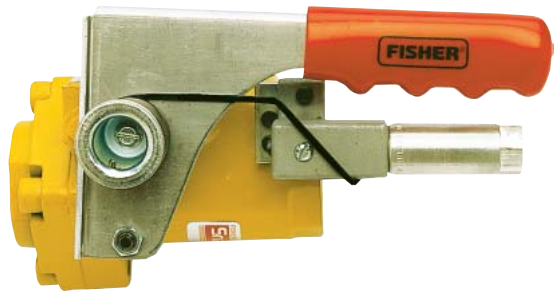
* For Railroad tank cars. Pneumatically operated with Quick Disconnect Coupling (included).



N551-10



N551 & P539A

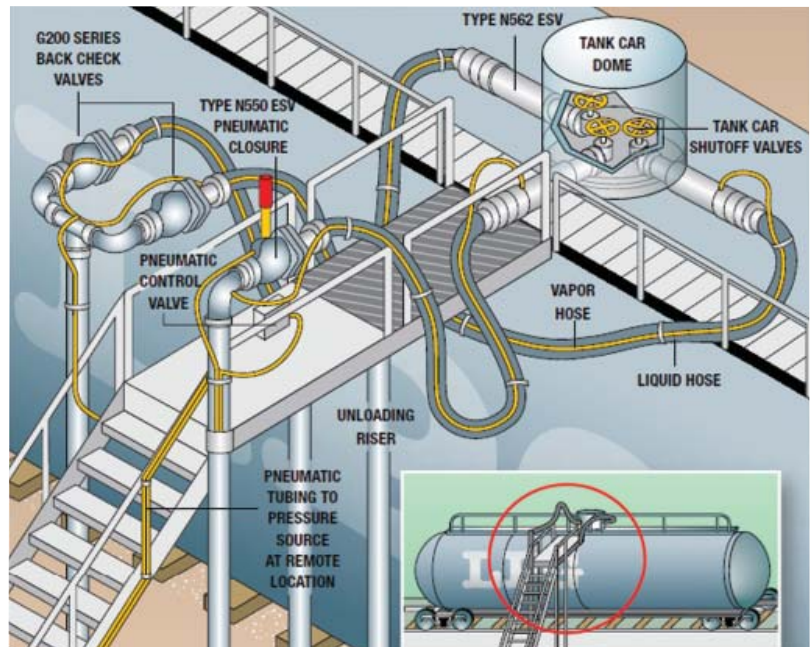


N551 & P327D



N562-26

Typical Railcar Unloading

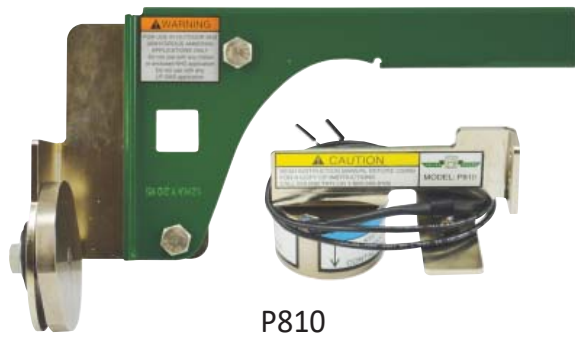


12 Volt Actuator For Emergency Shutoff Valves

Item Number	Part Number	Description	Fits
122939	P810	12 VDC Electronic Actuator for Emergency Shutoff Valves.	Fisher N550/551 & MEC ME980 ESV's.
113807	P810-R	For Anhydrous Ammonia (NH3) Service Only.	RegO® ESV's

RegO® is a trademark of Engineered Controls International, LLC.

For Fisher or MEC ESV's



P810

RegO® ESV's



P810-R

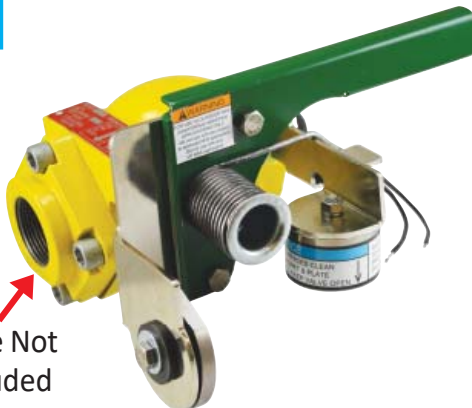
Valve Not Included



Power On & Valve Open

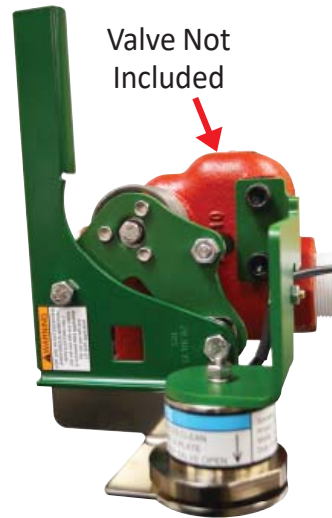
N551 & P810

Valve Not Included



Power Off & Valve Closed

Valve Not Included



Power On & Valve Open

**RegO®
ESV
&
P810-R**

Valve Not Included



Power Off & Valve Closed

N550 & N551 Actuators & Accessories			
Item Number	Part Number	Part Description	Fits
122927	P327D	Actuator - Close Only	N550 & N551
122937	P539A	Actuator - Open / Close	N550 & N551
122692	P164B	50' Cable Release Assembly	N550 & N551
122978	P551	Helper Spring Kit - Cable	N550 & N551
122979	P551A	Helper Spring Kit With P327D	N550 & N551
129079	T13090T0012	Packing Assembly Kit	N550
125047	RCN551T0012		N551
129078	T12963T0012	Latch Block Assembly	N550 & N551
129896	T13500T0012	Fuse Link Assembly	N550 & N551
129274	T20677T0012	Handle Only	N550 & N551
129758	T12928T0012	Handgrip Only	N550 & N551
129275	T20714T0012	Handle and Handgrip Assy.	N550 & N551



P327D



P539A



P164B



P551A



P551

Allegheny	
Item Number	Part Description
403050	Single Lever Control
403057	Double Lever Control
403059	Triple Lever Control
403051	20040A001 Adjusting Bolt Steel



403057



403051

MEC Emergency Shutoff Valves							
Item Number	Part Number	Body Size	Latch Type	Material	Flange Material	OAL	
154450	ME980-6	3/4" FNPT	Pneumatic	-----	-----	4 3/4"	
154460	ME980-8	1" FNPT					
154500	ME980-10	1 1/4" FNPT	Cable	Ductile Iron	Ductile Iron	5 3/8"	
154515	ME980C-10						
154525	ME980-16	2" FNPT	Pneumatic		Cast Iron	6 7/8"	
154540	ME980C-16		Cable				
154550	ME980-24	3" FNPT	Pneumatic		Ductile Iron	9 5/8"	
154565	ME980C-24		Cable				
154570	ME980-16-2F	2" - 300 Lb. Flange	Pneumatic			Ductile Iron	11 7/8"
154585	ME980C-16-2F		Cable				
154590	ME980-24-3F	3" - 300 Lb. Flange	Pneumatic			Ductile Iron	14 1/8"
154605	ME980C-24-3F		Cable				
154610	ME980-24-4F	4" - 300 Lb. Flange	Pneumatic	Ductile Iron		14 1/4"	
154625	ME980C-24-4F		Cable				

To order ESV with Pneumatic Actuator add "A" after the prefix part number i.e. ME980A-10.

To order ESV with Rotary Actuator add "AR" after the prefix part number i.e. ME980AR-10.



ME980-6



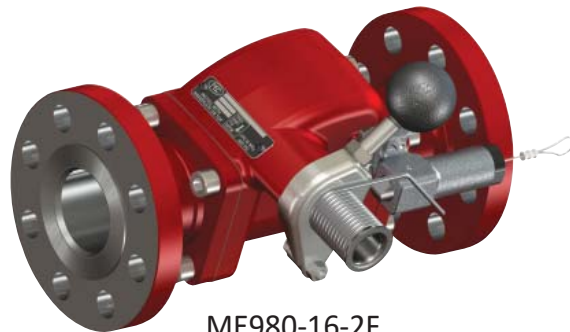
ME980-10



ME980-24



ME983



ME980-16-2F

MEC Railcar ESV			
Item Number	Part Number	Body Size	Closing Flow GPM
154400	ME983-16/500 *	2" FNPT	450

* Pneumatically operated.

MEC ESV Air Actuators				
Item Number	Part Number	Type	Operating Pressure Limits	Fits
150602	ME551	Air	Minimum = 20 PSIG Maximum = 125 PSIG Recommended = 20 - 25 PSIG	ME980-10, ME980-16, ME980-16-2F, ME980-24, ME980-24-3F, & ME980-24-4F
150609	ME552	Rotary		



ME551



ME552

MEC ESV Accessories			
Item Number	Part Number	Type	Description
154640	ME980-905	Universal ESV/Internal Valve Remote Release	No Cable
154642	ME980-905-25		W/25' Cable
154643	ME980-905-50		W/50' Cable
154645	ME980-906-25	Remote Release Cable Assembly	5/16-24UNF — 25' OAL
154647	ME980-906-50		5/16-24UNF — 50' OAL



ME980-905



ME980-905-25

Fisher Threaded Internal Valves						
Item Number	Straight Body (One Outlet)	Item Number	Tee Body (Two Outlets)	Tank Connection	Outlet Connection	Application
120430	C407-10-30	-----	-----	1 1/4" MNPT	1 1/4" FNPT	AA Storage Tanks Only
120422	C407M-10-40 *					
120435	C407-10-50	-----	-----			
120428	C407M-10-50 *					
120440	C407-10-80	-----	-----			
120442	C407M-10-80 *					
120448	C477-16-105	120301	C471-16-105	2" MNPT	2" FNPT	
120451	C477-16-150	120306	C471-16-150			
120458	C477-16-250	120311	C471-16-250			
120461	C477-24-160	120313	C471-24-160	3" MNPT	3" FNPT	
120471	C477-24-260	120321	C471-24-265			
120476	C477-24-375	120326	C471-24-375			
120484	C477-24-460	120331	C471-24-460			

* Includes a factory installed P341 latch.



C407



C407M



C471
Tee Body



C477
Straight Body

Fisher 3-Inch Flanged Internal Valves					
Item Number	Single Flange	Item Number	Double Flange	Tank Connection	Outlet Connection
120381	C484-24-160	120362	C483-24-160	3" 300 Lb. ANSI RF Modified (4 5/8" Dia. Bore)	3" 300 Lb. ANSI RF
120386	C484-24-250	120371	C483-24-260		
120396	C484-24-400	120376	C483-24-400		



C484



C483

Fisher 4-Inch Flanged Internal Valves				
Item Number	Part Number	Actuation	Tank Connection	Outlet Connection
120400	C404-32-400	Cable	4" 300 Lb. ANSI RF Modified (5 7/8" Dia. Bore)	4" 300 Lb. ANSI RF
120405	C404-32-600			
120406	C404-32-800			
120415	C404A-32-400	Air With P614		
120416	C404A-32-600			
120417	C404A-32-800			
120420	C404M-32-400	Manual With P313		
120425	C404M-32-600			
120426	C404M-32-800			



C404-32



C404A-32



C404M-32

Fisher Internal Valve Repair Kits			
Item Number	Part Number	For Type Number	Kit Contents
125010	RC40016T012	C402-16, C421-16, & C427-16	Discs, Packing, Stub Shaft, O-Rings, Cotter Pin, & Washer
125015	RC40024T012	C402-24, C421-24, & C427-24	
125020	RC40324T012	C403-24	
128025	RC40424T012	C404-24	
125030	RC40710T042	C407-10	Discs, Packing, & O-Ring
125012	RC47016T012	C471-16 & C477-16	Discs, Packing, Stub Shaft, O-Rings, Cotter Pin, & Washer
125017	RC47024T012	C471-24 & C477-24	
125022	RC48324T012	C483-24	
125023	RC48424T012	C484-24	
125041	RFC40432T12	C204-43 & C404-32	Packing Retrofit Kit March 2012 & Prior
125044	ERAA03396A0	C204-43 & C404-32	Cable Pull Hardware Kit March 2012 & Prior
125037	T11396000B2	C404-32	Packing Parts Kit After March 2012*
125039	T11396000C2	C404-32	Valve Repair Kit Less Packing - All Years
129414	ERSA03240A0	C404-32	4" Spirotallic Flange Gasket

* Use only after retrofit of Type RFC404 Kit.

Fisher Internal Valve Air Actuators

Item Number	Part Number	Fits	Type	Obsolete Part Number	Supply Pressure Range - PSIG
122931	P389	C407-10	Cylinder	-----	60 to 250
122988	P731		Rotary		50 to 125
122936	P613	C404-24 & C484-24	Brake Chamber	<i>P326-7</i>	20 to 12
122990	P713		Rotary	-----	25 to 125
122933	P623	C403-24 & C483-24	Brake Chamber	<i>P326-5</i>	20 to 12
122991	P723		Rotary	-----	25 to 125
122934	P639A	C402, C421, C427, C471, & C477	Brake Chamber	<i>P326-6</i>	20 to 12
122989	P739		Rotary	-----	25 to 125
122932	P614A	C404-32	Brake Chamber	<i>P312</i>	40 to 125
122992	P714		Rotary	-----	40 to 125



P389



P614A



P613



P623



P639



P731

Valves Not Included



P723

Fisher Internal Valve Cable Latches



Fisher Internal Valve Cable Latches			
Item Number	Part Number	For Type Size	Release Type
122912	P340	2" & 3"	Latch
122925	P341	1 1/4"	
122919	P342		Bi-Directional Latch
122685	P163A	1 1/4", 2" 3" & 4"	Auxiliary Remote
122690	P164A		Primary Cable Control
122985	P650		
122987	P651 *		
122855	P313 #	4"	Latch
122860	P314		Cable Assembly
122865	P315		Auxiliary Remote

* Type P651 is a primary control only, no accessories. # Use with Type P315 remote release mechanism.



P340



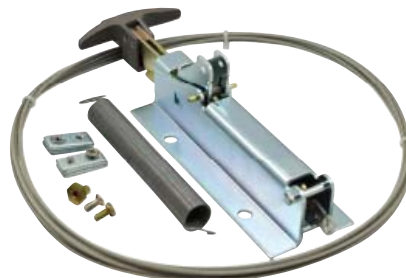
P341



P342



P163A — 25'
P164A — 50'



P650



P651



P313



P314



P315

MEC 1 1/4" Threaded Internal Valves						
Item Number	Part Number	Liquid Closing Flow Value	Actuation	Tank Connection	Outlet Connection	Application
Straight Body (One Outlet)						
153920	ME990-10-35	35 GPM	Valve Only	1 1/4" MNPT	1 1/4" FNPT	AA Storage Tanks Only
153925	ME990-10-55	55 GPM				
153930	ME990-10-85	85 GPM				
153965	ME990M-10-35	35 GPM	Manual With ME990-10-902			
153970	ME990M-10-55	55 GPM				
153975	ME990M-10-85	85 GPM	Air With ME205			
153945	ME990A-10-85		Rotary With ME225			
153960	ME990AR-10-85					
Tee Body (Two Outlets)						
150281	ME992-10-55	55 GPM	Valve Only	1 1/4" MNPT	1 1/4" FNPT (2)	
150288	ME992-10-85	85 GPM				
150282	ME992-12-65	65 GPM		1 1/2" MNPT	1 1/2" MNPT (2)	

These valves are available with Kalrez®, Neoprene, & Viton® Trims.



ME990-10-85



ME990-16-160

MEC 2" Threaded Internal Valves					
Item Number	Part Number	Liquid Closing Flow Value	Actuation	Tank Connection	Outlet Connection
153480	ME990-16-110	110 GPM	Valve Only	2" MNPT	2" FNPT
153485	ME990-16-160	160GPM			
153490	ME990-16-260	260 GPM			
153530	ME990M-16-160	160GPM	Manual With MEP990-24		
153535	ME990M-16-260	260 GPM			
153505	ME990A-16-260	260GPM	Air With ME206		
153520	ME990AR-16-260	260 GPM	Rotary With ME226		

These valves are available with Kalrez®, Neoprene, & Viton® Trims.

MEC 2" Threaded Tee Body Internal Valves					
Item Number	Part Number	Liquid Closing Flow Value	Actuation	Tank Connection	Outlet Connection
154800	ME992-16-160	160 GPM	Valve Only	2" MNPT	2" FNPT X 2" FNPT
150290	ME992-16-260	260 GPM			
154825	ME992M-16-160	160 GPM	Manual With MEP990-24		
154830	ME992M-16-260	260 GPM			
154805	ME992A-16-160	160 GPM	Air With ME206		
154810	ME992A-16-260	260 GPM			
154815	ME992AR-16-160	160 GPM	Rotary With ME226		
154820	ME992AR-16-260	260 GPM			

These valves are available with Kalrez®, Neoprene, & Viton® Trims.



ME992M-16-160



ME990-24-400

MEC 3" Threaded Internal Valves					
Item Number	Part Number	Liquid Closing Flow Value	Actuation	Tank Connection	Outlet Connection
153340	ME990-24-175	175 GPM	Valve Only	3" MNPT	3" FNPT X 3" FNPT
153345	ME990-24-250	250 GPM			
153350	ME990-24-300	300 GPM			
153355	ME990-24-375	375 GPM			
153360	ME990-24-400	400 GPM			
153370	ME990-24-500	500 GPM			
153430	ME990AR-24-400	400 GPM	Rotary With ME226		

These valves are available with Kalrez®, Neoprene, & Viton® Trims.

MEC 3" Threaded Tee Body Internal Valves

Item Number	Part Number	Liquid Closing Flow Value	Actuation	Tank Connection	Outlet Connection
154855	ME992-24-175	175 GPM	Valve Only	3" MNPT	3" FNPT
150283	ME992-24-250	250 GPM			
150285	ME992-24-375	375 GPM			
150295	ME992-24-400	400 GPM			
150298	ME992-24-500	500 GPM			
154895	ME992M-24-250	250 GPM	Manual With MEP990-24		
154900	ME992M-24-400	400 GPM			
154905	ME992M-24-500	500 GPM			
154860	ME992A-24-250	250 GPM	Air With ME206		
154865	ME992A-24-400	400 GPM			
154870	ME992A-24-500	500 GPM			
154875	ME992AR-24-175	175 GPM	Rotary With ME226		
154880	ME992AR-24-250	250 GPM			
154885	ME992AR-24-400	400 GPM			
154890	ME992AR-24-500	500 GPM			

These valves are available with Kalrez®, Neoprene, & Viton® Trims.



ME992M-24-400



ME990S-3DF-400

MEC 3" Double Flanged Internal Valves

Item Number	Part Number	Liquid Closing Flow Value	Actuation	Tank Connection	Outlet Connection
153650	ME990S-3DF-175	175 GPM	Valve Only	3" Flange	3" Flange
153655	ME990S-3DF-250	250 GPM			
153660	ME990S-3DF-300	300 GPM			
153665	ME990S-3DF-375	375 GPM			
153670	ME990S-3DF-400	400 GPM			
153690	ME990SA-3DF-250	250 GPM	Air With ME207		
153705	ME990SA-3DF-400	400 GPM			
153725	ME990SAR-3DF-250	250 GPM	Rotary With ME227		
153740	ME990SAR-3DF-400	400 GPM			

These valves are available with Kalrez®, Neoprene, & Viton® Trims.

MEC Internal Valves & Repair Kits



MEC 4" Flanged Internal Valves				
Item Number	Part Number	Liquid Closing Flow Value	Actuation	Tank & Outlet Connection
153000	ME990-4F-375	375 GPM	Valve Only	4" Flange
153005	ME990-4F-500	500 GPM		
153010	ME990-4F-650	650 GPM		
153015	ME990-4F-850	850 GPM		
153180	ME990M-4F-375	375 GPM	Manual With MEP990-4F	
153185	ME990M-4F-500	500 GPM		
153190	ME990M-4F-650	650 GPM		
153195	ME990M-4F-850	850 GPM		
153060	ME990A-4F-375	375 GPM	Air With ME208SF	
153065	ME990A-4F-500	500 GPM		
153070	ME990A-4F-650/5 *	650 GPM		
153075	ME990A-4F-850	850 GPM		
153120	ME990AR-4F-375	375 GPM	Rotary With ME228	
153125	ME990AR-4F-500	500 GPM		
153160	ME990AR-4F-650	650 GPM		
153135	ME990AR-4F-850	850 GPM		



ME990-4F-650



ME990M-4F-650



ME990A-4F-650

These valves are available with Kalrez®, Neoprene, & Viton® Trims.
 * Comes with a 5 Mesh Screen.

MEC Internal Valve Repair Kits			
Item Number	Part Number	Part Description	Fits
153985	ME990-10-VRK	Rebuild Kit	ME990-10, ME992-10, & ME992-12
153990	ME990-10-SRK	Seal Repair Kit	
153995	ME990-10-PRK	Stem Packing Repair Kit	
153625	ME990-16-VRK	Rebuild Kit	ME990-16 & ME992-16
153630	ME990-16-SRK	Seal Repair Kit	
153580	ME990-PRK	Stem Packing Repair Kit	
153570	ME990-24-VRK	Valve Repair Kit	ME990-24, ME992-24, & ME990S-3DF
153575	ME990-24-SRK	Valve Seal Repair Kit	
153580	ME990-PRK	Valve Stem Packing Repair Kit	
153245	ME990-4F-VRK	Rebuild Kit	ME990-4F
153250	ME990-4F-SRK	Seal Repair Kit	
153255	ME990-4F-PRK	Stem Packing Repair Kit	
127983	T1056138992	3" Spirotallic Flange Gasket	ME990S-3DF
127990	Garlock 5500	3" Fiber Flange Gasket	
128346	ME990-4F-172	4" Spirotallic Flange Gasket	ME990-4F

MEC Internal Valve Air Actuators

Item Number	Part Number	Operating Pressure Limits	Fits
150581	ME205	Minimum = 20 PSIG Maximum = 125 PSIG Recommended = 20 - 25 PSIG	ME990-10
150587	ME205R		RegO® A3209R
150578	ME207SF		Fisher® C404-24-24 & C484-24
150577	ME207		ME990S-3DF & ME990S-3DFM
150576	ME206		ME990-16, ME990-24, & ME990S-3F-24
150579	ME208SF		ME990-4F
150592	ME710		RegO® Flowmatic® Three-Way Valve

RegO® is a trademark of Engineered Controls International, LLC.



ME205



ME207



ME207SF



ME206



ME208SF

Actuator Accessories For Nitrogen Service

Item Number	Part Number	Inlet	Outlet	Part Description
150583	ME707	3/8" FNPT	3/8" FNPT (2 Ports)	Quick Release Valve Used To Decrease Response Time When Closing Actuators.
150584	ME708 *	1/4" FNPT	1/4" FNPT	0-150 PSIG Air Pressure Regulator.
750815	PF-052FM		1/4" MNPT	
750804	PF-0532	3/8" Flare	1/4" FNPT	Trap-All Gas/Air Filter for Actuator Systems.

* Universal Mounting Bracket Included.



ME707



ME708



PF-052FM

MEC Internal Valve Actuators & Accessories



PowerTorq Rotary Actuators				
Item Number	Part Number	Type	Fits MEC	Internal Valve
150690	ME225	Direct Drive	ME990-10	1 1/4" Threaded
150582	ME226		ME990-16, ME992-16, ME990-24, ME992-24, ME990S-2F-16, & ME990S-3F-24	2" & 3" Threaded
150693	ME227		ME990S-3DF, ME990S-3DFM, & ME990S-3DFO	3" Double Flange
150695	ME228		ME990-4F	4" Single Flange



ME225



ME225 Mounted to Valve with ME707

ME707 & Internal valve not included.

MEC Internal Valve Accessories			
Item Number	Part Number	Fits	Part Description
153980	ME990-10-902	ME990-10	Manual Latch Assembly
153540	MEP990-24	ME990-16 & ME990-24	
153240	MEP990-4F	ME990-4F	
153545	MEP650 *	All Sizes	Open/Close Cable Control Release
153550	MEP651		

* With 50' Cable.



ME990-10-902



MEP990-24



MEP651



MEP990-4F

12 Volt Actuators For Internal Valves

12 Volt Actuator For 2" & 3" Internal Valves

Item Number	Part Number	Description	Fits
113803	C810-F	12 VDC Electronic Actuator for Internal Valves. For Anhydrous Ammonia (NH3) Service Only.	Fisher® C402, C421, C427, C471, C477, & C486
113823	C810-M		ME990-16, ME992-16, ME990-24, ME992-24, ME990S-2F-16, & ME990S-3F-24
113816	C810-R2		A3212R RegO® 2" Threaded Internal Valve
113917	C810-R3		A3213D RegO® 3" Threaded Internal Valve

For Fisher 2" & 3" Internal Valves



C810-F



Power Off & Valve Closed



Power On & Valve Open



Valve Can Be Locked As Shown. Padlock & Valve Not Included.

For MEC 2" & 3" Internal Valves



C810-M



Power Off & Valve Closed



Power On & Valve Open



Valve Can Be Locked As Shown. Padlock & Valve Not Included.

For RegO® 2" & 3" Internal Valves



C810-R2



Power Off & Valve Closed



Power On & Valve Open



Valve Can Be Locked As Shown. Padlock & Valve Not Included.

RegO® is a trademark of Engineered Controls International, LLC.

RSD E-Box & Accessories		
Item Number	Part Number	Part Description
113800	RSD E-Box	Storage Remote Shutdown
113801	CV-Box	15 Amp Converter Box
113805	RSD-E1	1 - Function Transmitter (300' Range)
113806	E-Stop5A	Push To Close Button — Electric 5 Amp
113813	E-Stop15A	Push To Close Button — Electric 15 Amp
113817	E-Stop-W	Push To Close Button — Wireless (300' Range)
113802	RSD-SVH-AA	Solenoid Valve Module — Allows The Use Of Air Actuators With E-Box

For Anhydrous Ammonia (NH3) Service Only.



RSD E-Box



CV-Box



RSD-E1



E-Stop5A



E-Stop15A



E-Stop-W

Air Accessories

Item Number	Part Number	Part Description
404200	250V-3-10-21	Pull Lever Actuating Air Valve
404185	M3820602	Lexair Valve — Push Button
404206	NB-4-035	1/4" Poly Tubing
650088	Push To Close Decal — Electric or Air	
404186	ESV Sign Post For Lexair Valve — Electric or Air	



250V-3-10-21



V-82



M3820602



NB-4-035



ESV Sign Post

Pneumatic Tubing Push Connectors

Item Number	Part Number	Part Description
404300	BPC-NI-2501-S-04-02	1/4" Tube X 1/8" MNPT 90°
404302	BPC-NI-2501-S-04-04	1/4" Tube X 1/4" MNPT 90°
404304	BPC-NI-2404-04-02	1/4" Tube X 1/8" MNPT
404306	BPC-NI-2404-04-04	1/4" Tube X 1/4" MNPT
404308	BPC-NI-2601-S-04-04-02	1/4" Tube X 1/8" MNPT Branch Tee
404310	31085614	1/4" Tube X 1/4" MNPT Branch Tee
404312	BPC-NI-2403-04-04	1/4" Coupling
404314	BPC-NI-2603-04-04-04	1/4" Tube Tee



404302



404306



404310



404314

Other Fittings Available.

Butterfly Valves

Pratt Butterfly Valves							
Item Number	Part Number	Body Type	Body Size	Material	Disc	Stem	Pressure Rating
115050	BF1-2	Wafer	2"	Ductile Iron (65-42-12)	316 Stainless Steel	416 S.S. Heat Treated	230 PSI.
115052	BF1-3		3"				
115054	BF1-4		4"				
115056	BF1-6		6"				
115150	BF2-2	Lug	2"	Ductile Iron (65-42-12)	316 Stainless Steel	416 S.S. Heat Treated	230 PSI.
115152	BF2-3		3"				
115154	BF2-4		4"				
115156	BF2-6		6"				
115000	OS1-2	Wafer	2"	Ductile Iron (65-42-12)	310 Stainless Steel	410 S.S. Heat Treated	200 PSI.
115002	OS1-3		3"				
115004	OS1-4		4"				
115006	OS1-6		6"				
115100	OS2-2	Lug	2"	Ductile Iron (65-42-12)	310 Stainless Steel	410 S.S. Heat Treated	200 PSI.
115102	OS2-3		3"				
115104	OS2-4		4"				
115106	OS2-6		6"				

Has EPDM Seal & comes with a manual lever.



BF1 Series - Wafer



BF2 Series - Lug

BF1 & BF2 Series

OS1 & OS2 Series
Economy Line



OS1 Series - Wafer



OS2 Series - Lug



Forged Steel Fittings								
2000 Lbs., A105, ANSI B16.11					3000 Lbs., A105, ANSI B16.11			
Pipe Size, FNPT	Type Of Fitting							
	90 Elbow	45 Elbow	Tees	Crosses	90 Street Elbows	Couplings	Half Couplings	Caps
1/4"	610005	610105	610205	610305	611305	600105	600205	600805
3/8"	610010	610110	610210	610310	611310	600110	600210	600810
1/2"	610015	610115	610215	610315	611315	600115	600215	600815
3/4"	610020	610120	610220	610320	611320	600120	600220	600820
1"	610025	610125	610225	610325	611325	600125	600225	600825
1 1/4"	610030	610130	610230	610330	611330	600130	600230	600830
1 1/2"	610035	610135	610235	610335	611335	600135	600235	600835
2"	610040	610140	610240	610340	611340	600140	600240	600840
2 1/2"	610045	610145	610245	610345	-----	600145	600245	600845
3"	610050	610150	610250	610350	-----	600150	600250	600850
4"	610055	610155	610255	610355	-----	600155	600255	600855

Hex Head Plugs												
A105, ANSI B16.11												
Pipe Size	1/8"	1/4"	3/8"	1/2"	3/4"	1"	1 1/4"	1 1/2"	2"	2 1/2"	3"	4"
Item Number	600500	600505	600510	600515	600520	600525	600530	600535	600540	600545	600550	600555

Forged Steel Unions											
3000 Lbs., A105, MSS SP-83											
Pipe Size	1/8"	1/4"	3/8"	1/2"	3/4"	1"	1 1/4"	1 1/2"	2"	2 1/2"	3"
Item Number	661100	661105	661110	661115	661120	661125	661130	661135	661140	661145	661150

Hex Bushings											
A105, ANSI B16.11											
Size, FNPT	Size, MNPT										
	1/4"	3/8"	1/2"	3/4"	1"	1 1/4"	1 1/2"	2"	2 1/2"	3"	4"
1/8"	603100	603105	603115	603130	603150	603175	603205	603240	603280	603325	603375
1/4"	-----	603110	603120	603135	603155	603180	603210	603245	603285	603330	603380
3/8"	-----	-----	603125	603140	603160	603185	603215	603250	603290	603335	603385
1/2"	-----	-----	-----	603145	603165	603190	603220	603255	603295	603340	603390
3/4"	-----	-----	-----	-----	603170	603195	603225	603260	603300	603345	603395
1"	-----	-----	-----	-----	-----	603200	603230	603265	603305	603350	603400
1 1/4"	-----	-----	-----	-----	-----	-----	603235	603270	603310	603355	603405
1 1/2"	-----	-----	-----	-----	-----	-----	-----	603275	603315	603360	603410
2"	-----	-----	-----	-----	-----	-----	-----	-----	603320	603365	603415
2 1/2"	-----	-----	-----	-----	-----	-----	-----	-----	-----	603370	603420
3"	-----	-----	-----	-----	-----	-----	-----	-----	-----	-----	603425

Black Extra Heavy Seamless Nipples											
Nipple Length	Pipe Size, MNPT										
	1/8"	1/4"	3/8"	1/2"	3/4"	1"	1 1/4"	1 1/2"	2"	2 1/2"	3"
Close*	510650	510673	510695	510718	510741	510764	510787	510810	510833	510856	510877
1 1/2"	510651	510672	510693	510717	510740	----	----	----	----	----	----
2"	510649	510674	510696	510719	510742	510765	510788	510811	----	----	----
2 1/2"	510652	510675	510697	510720	510743	510766	510789	510812	510835	----	----
3"	510653	510676	510698	510721	510744	510767	510790	510813	510836	510857	----
3 1/2"	510654	510677	510699	510722	510745	510768	510791	510814	510837	510858	510878
4"	510655	510678	510700	510723	510746	510769	510792	510815	510838	510859	510879
4 1/2"	510656	510679	510701	510724	510747	510770	510793	510816	510839	510860	510880
5"	510657	510680	510702	510725	510748	510771	510794	510817	510840	510861	510881
5 1/2"	510658	510681	510703	510726	510749	510772	510795	510818	510841	510862	510882
6"	510659	510682	510704	510727	510750	510773	510796	510819	510842	510863	510883
7"	510660	510684	510705	510728	510752	510775	510798	510821	510844	510864	510885
8"	510661	510686	510706	510729	510754	510777	510800	510823	510846	510865	510887
9"	510662	510688	510707	510730	510755	510778	510802	510825	510848	510866	510888
10"	510663	510690	510708	510735	510756	510781	510804	510850	510827	510867	510891
11"	510664	510692	510709	510736	510757	510782	510806	510829	510852	510868	510893
12"	510671	510694	510710	510739	510762	510783	510808	510830	510854	510869	510895

* Minimum length of nipple. Lengths as follows:

Pipe Size	1/8"	1/4"	3/8"	1/2"	3/4"	1"	1 1/4"	1 1/2"	2"	2 1/2"	3"
Length	3/4"	7/8"	1"	1 1/8"	1 3/8"	1 1/2"	1 5/8"	1 3/4"	2"	2 1/2"	2 5/8"

Seamless Nipples Are Required For Anhydrous Ammonia.

Concentric Extra Heavy Swage Nipples			
Item Number	Pipe Size, MNPT	Item Number	Pipe Size, MNPT
214295	3/4" X 1/2"	214420	2" X 1 1/4"
214315	1" X 1/2"	214425	2" X 1 1/2"
214320	1" X 3/4"	214455	2 1/2" X 1"
214345	1 1/4" X 3/4"	214460	2 1/2" X 1 1/4"
214350	1 1/4" X 1"	214465	2 1/2" X 1 1/2"
214355	1 1/2" X 3/4"	214470	2 1/2" X 2"
214380	1 1/2" X 1"	214500	3" X 1"
214385	1 1/2" X 1 1/4"	214505	3" X 1 1/4"
214410	2" X 3/4"	214515	3" X 2"
214415	2" X 1"	214520	3" X 2 1/2"



Seamless



Swage

Bypass Valves					
Item Number	Part Number	Size - FNPT	Application	Spring Range	Manufacturer
140342	T166-1.25AAU	1 1/4"	Bulk Plants & Large Capacity Pumps	25-60	Corken
140341	T166-1.5AAU	1 1/2"		25-60	
140329	ZV200AAEE	2"		41-70	
142004	BV1.25A-5100	1 1/4"		Blackmer	71-125
142002	BV1.5A-5100	1 1/2"			
142007	BV2A-21NN	2"			
148022	ME840-16-40	2"		MEC	20-40
148024	ME840-16-70				41-70
147978	ME840-24-75	3"			25-75

Other spring ranges available.



T166



BV1.5A



ME840-16-40



ZV200



BV2A



ME840-24-75

Corken Bare Pumps				
Item Number	Part Number	Inlet	Outlet	Approximate Flow Rate
140050	521EGA6EE	2" FNPT	2" FNPT	25-80 GPM
140120	1021EGA6MM	3" FNPT	3" FNPT	65-195 GPM
140193	Z2000HGA6EEU	2" FNPT	2" FNPT	37-75 GPM
140121	Z3500HGA6MT	3" FNPT	3" FNPT	120-168
140185	Z4500HGA6SP	4" 300# Flange	3" 300# Flange	200-308

Z3500 is a direct replacement for Corken 1021 & Blackmer LGL3021A.

See www.corken.com for Technical Info.



Z3500



521 / 1021



Z4500

Corken Base Mounted Pumps				
Item Number	Part Number	RPM	3 Phase Motor - HP	Frame Size
140062	521EGA6EE-103-9-640-184T	640	5	184T
140187	Z2000HGA6EEU-103-9-640-184T			
140137	1021EGA6MM-103-10-640-215T		10	215T
140131	Z3500HGA6MT-103-10-640-215T			
140186	Z4500HGA6SP-103-15-640-256T		20	256T

103 Style - Mounting includes steel baseplate, adjustable driver side base, V-belt drive w/belts, & enclosed belt guard. Motor sold separately on page 68.



Z2000



103 Pump Series

NH3 Coro-Vane Pump Repair Kits					
Item Number	140874	140900	140882	140890	140894
Part Number	2904-X26	3109-X1	2905-X56	2906-X26	2907-X36
Model Numbers	521E 522E T522E TR522E	T522G TR522G	T722G TR722G	1021E 1022E F1021E F1022E	F1521F F1522F T1522F TR1522F
Sideplates	1163-2 (2)	3932 (2)	3932 (2)	1209-1 (2)	3476 L/R (1/1)
Vanes	1168-7 (10)	4000 (6)	3981 (6)	1308-9 (10)	3477 (6)
Grease Seals	1358 (2)	1358 (2)	1358 (2)	1358 (2)	1358 (2)
Seal Assembly *	1769-XRA6 (2)*	1769-XRA6 (2)*	1769-XRA6 (2)*	1769-XRA6 (2)*	1769-XRA6 (2)*
R.V. O-Ring *	2-112A (1) *	-----	-----	2-112A (1) *	-----
R.V. O-Ring *	2-224A (1) *	-----	-----	2-228A (1) *	-----
R.V. O-Ring *	2-227A (2) *	2-227A (2) *	2-227A (2) *	-----	2-238A (1) *
Flange O-Ring *	2-234A (2) *	2-234A (2) *	2-234A (2) *	2-245A (2) *	2-245A (1) *
Flange O-Ring *	-----	-----	-----	2-249A (2) *	2-234A (3) *
Flange O-Ring *	-----	-----	-----	-----	2-249A (1)
Case O-Ring *	2-261A (2) *	2-261A (2) *	2-261A (2) *	2-268A (2) *	2-268A (2) *
Flange Gasket	2010 (3)	2010 (2)	2010 (2)	-----	-----
Grease Seal – Thrust	2014 (1)	2014 (1)	2014 (1)	2014 (1)	2014 (1)
Roller Bearing	2754-X (2)	2754-X (2)	2754-X (2)	2754-X (2)	2754-X (2)
Bearing	-----	3209 (1)	3209 (1)	-----	3209 (1)
Additional Spare Parts					
Rotor & Shaft	1166-1X1R (1)	-----	-----	1208-1X1R (1)	3350-1X1R (1)
Rotor & Shaft +	1166-1X2R (1) +	1166-1X2R (1) +	3983-X2R (1) +	1208-1X2R (1) +	3350-1X2R (1) +
Cam	1162-2 (1)	1162-2 (1)	1849-1 (1)	1201-2 (1)	1792-1 (1)

* All repair kits are furnished with Buna-N O-Rings which are suitable for NH3 applications.

+ For use on 522, 722, 1022, and 1522 pumps only.

Coro-Vane Pump Parts						
Part Description	For 521 Pumps			For 1021 Pumps		
	Item Number	Part Number	Quantity Needed	Item Number	Part Number	Quantity Needed
Sideplates	140615	1163-2	2 Pcs.	140660	1209-1	2 Pcs.
Vanes	140626	1168-7	10 Pcs.	140716	1308-9	10 Pcs.
Grease Seals	140740	1358	2 Pcs.	140740	1358	2 Pcs.
Seal Assembly	140802	1769-XRA6	2 Pcs.	140802	1769-XRA6	2 Pcs.
Grease Seal – Thrust	140811	2014	1 Pc.	140811	2014	1 Pc.
Roller Bearing	140850	2754-X	2 Pcs.	140850	2754-X	2 Pcs.
Rotor & Shaft	140619	1166-1X1R	1 Pc.	140654	1208-1X1R	1 Pc.
Cam	140610	1162-2	1 Pc.	140650	1201-2	1 Pc.

NH3 Z-Series Pump Repair Kits				
Item Number	140195	140196	140202	140197
Part Number	3193-X16	3195-X16	3195-X26	3197-X16
Model Numbers	Z2000	Z3200	Z3500	Z4200 & Z4500
R.V. O-Ring *	2-224A (1) *	2-224A (1) *	2-228A (2) *	2-234A (1) *
Flange O-Ring *	2-231A (2) *	2-234A (2) *	-----	2-231A (2) *
Roller Bearing	2754-X (2)	2754-X (2)	2754-X (2)	4460-X (2)
Vanes	4428 (6)	4232 (6)	3936 (6)	4448 (6)
Vane Drivers	4262-X (3)	4262-X (3)	5554-X (6)	4449-X (5)
Seal Assembly *	4431-XA6 (2) *	4431-XA6 (2) *	6660-XA6 (2) *	4464-XA6 (2) *
Bearing – Thrust	4432 (2)	4432 (2)	4432 (2)	4453 (2)
Mounting Ring	4435 (2)	4435 (2)	4435 (2)	4454 (2)
Shim (0.002)	4439 (8)	4439 (8)	4439 (8)	4458 (8)
Shim (0.010)	4439-1 (2)	4439-1 (2)	4439-1 (2)	4458-1 (2)
Shim (0.020)	4439-2 (2)	4439-2 (2)	4439-2 (2)	4458-2 (2)
Grease Seals	4441 (2)	4441 (2)	4441 (2)	4463 (2)
Shaft Key	2270 (1)	2270 (1)	2270 (1)	4459 (1)
Additional Spare Parts				
Cam #	4414 (1) #	4242 (1) #	5539 (1) #	4443 (1) #
Sideplates #	4427 (2) #	4231 (2) #	3935 (2) #	4446 (2) #
Rotor & Shaft +	4430-X2R +	4495-X2R +	1208-1X6R +	4444-X2R +

* All repair kits are furnished with Buna-N O-Rings which are suitable for NH3 applications.

These items are in the rebuild kits.

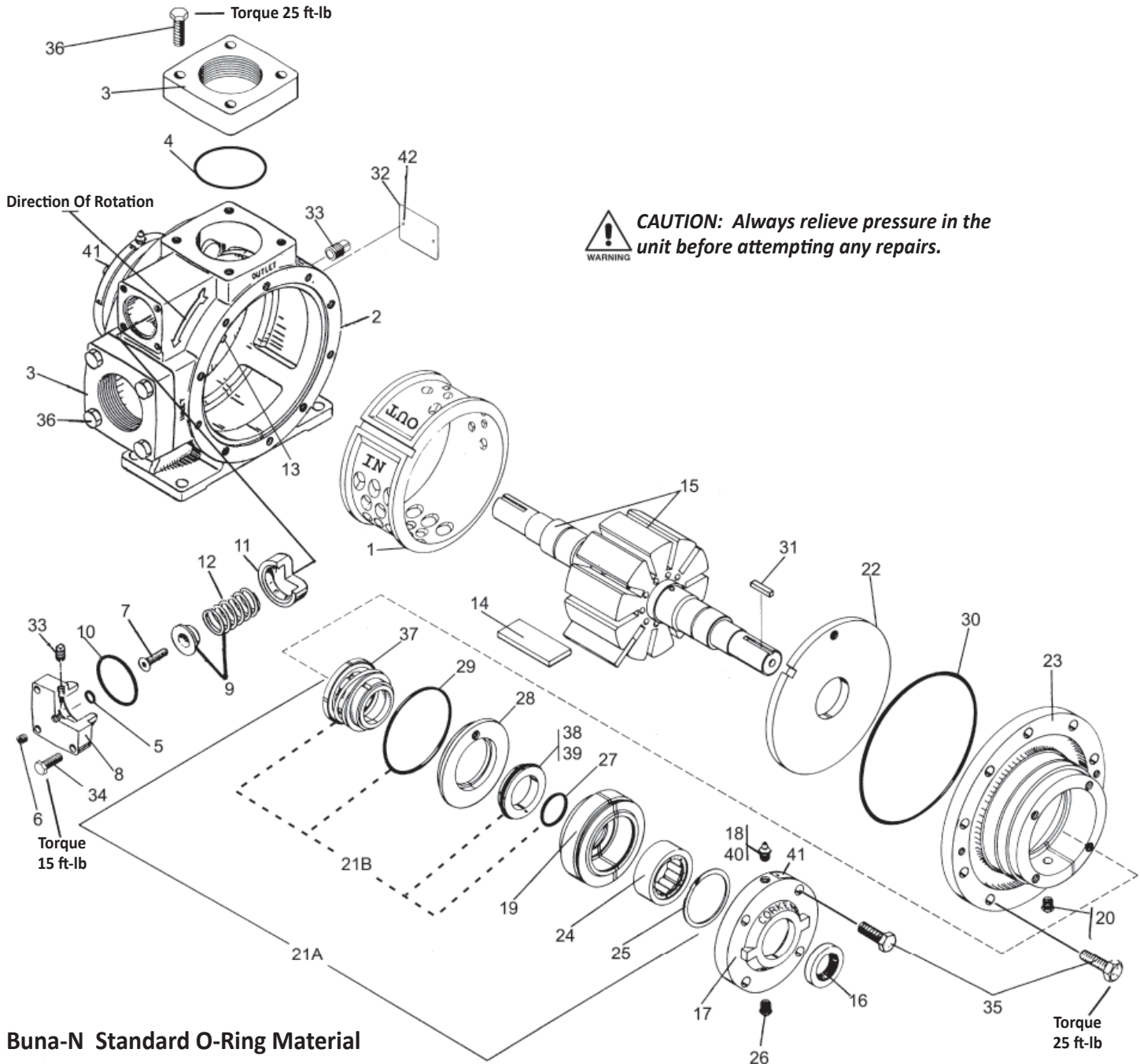
+ This item is not in the repair or rebuild kits.

NH3 Z-Series Pump Rebuild Kits				
Item Number	140974	140713	140715	140175
Part Number	3194-X16	3196-X16	3196-X26	3198-X16
Model Numbers	Z2000	Z3200	Z3500	Z4200 & Z4500

Rebuild Kits include all parts in the repair kits plus the Cam & Sideplates.

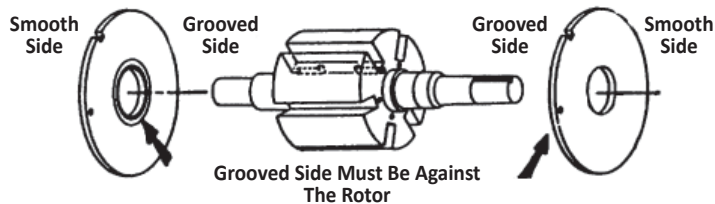
Z-Series Pump Parts						
Part Description	For Z2000 Pumps			For Z3500 Pumps		
	Item Number	Part Number	Quantity Needed	Item Number	Part Number	Quantity Needed
Roller Bearing	140850	2754-X	2 Pcs.	140850	2754-X	2 Pcs.
Vanes	145006	4428	6 Pcs.	141152	3936	6 Pcs.
Seal Assembly	140201	4431-XA6	2 Pcs.	140394	6660-XA6	2 Pcs.
Bearing – Thrust	140500	4432	2 Pcs.	140500	4432	2 Pcs.
Grease Seals	140511	4441	2 Pcs.	140511	4441	2 Pcs.
Cam	145004	4414	1 Pc.	140184	5539	1 Pc.
Sideplates	140190	4427	2 Pcs.	140182	3935	2 Pcs.
Rotor & Shaft	140181	4430-X2R	1 Pc.	140998	1208-1X6R	1 Pc.

Parts Details for Models 521 & 1021

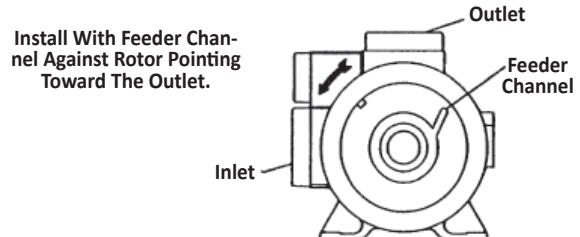


Sideplate Replacement Instructions

Model 521



Model 1021



Coro-Vane Pumps Breakdown



Ref No.	Item Number	Part Number	Description	Qty.
1.	140610	1162-2	Cam (521)	1
	140650	1201-2	Cam (1021)	1
2.	Special Order	2832	Case (521)	1
	140858	2841	Case (1021)	1
3.	140628	1172-2.5	Flange – 2 1/2" Standard (521)	1
	140627	1172-2	Flange – 2" Standard (521)	1
	Special Order	1172-1.5	Flange – 1 1/2" NPT, Optional (521)	1
	Special Order	1172-1.5S	Flange – 1 1/2" Weld, Optional (521)	1
	Special Order	1172-2	Flange – 2" NPT, Optional (521)	1
	Special Order	1172-2S	Flange – 2" Weld, Optional (521)	1
	Special Order	1172-2.5	Flange – 2 1/2" NPT, Optional (521)	1
	Special Order	1172-2.5S	Flange – 2 1/2" Weld, Optional (521)	1
	140651	1206-3	Flange – 3" Standard (1021)	2
	Special Order	1206-3S	Flange – 3" Weld, Optional (1021)	2
	Special Order	1206-4	Flange – 4" NPT, Optional (1021)	2
	Special Order	1206-4S	Flange – 4" Weld, Optional (1021)	2
	4.	140940	2-234A ^a	Flange O-Ring (521)
140946		2-245A ^a	Flange O-Ring 3" (1021)	2
140949		2-249A ^a	Flange O-Ring 4" (1021)	2
5.	140930	2-112A ^a	Adjusting Screw O-Ring	1
6.	140842	2590	Flush Plug – 1/8" NPT	1
7.	140814	2252	Relief Valve Adjusting Screw	1
8.	140617	1174	Valve Cap (521)	1
	140653	1207	Valve Cap (1021)	1
9.	140724	1242-X	Relief Valve Spring & Guide (521)	1
	140658	1227	Relief Valve Spring Guide (1021)	1
10.	140938	2-224A ^a	Relief Valve Cap O-Ring (521)	1
	140939	2-228A ^a	Relief Valve Cap O-Ring (1021)	1
11.	140717	1241	Relief Valve (521)	1
	140656	1224	Relief Valve (1021)	1
12.	Special Order	1242	Relief Valve Spring (521)	1
	140657	1226	Relief Valve Spring (1021)	1
13.	Special Order	1170	Cam Key (521)	1
	Special Order	1309	Cam Key (1021)	1
14.	140626	1168-7	Blade (521)	10
	140716	1308-9	Blade (1021)	10
15.	140619	1166-1X1R	Rotor & Shaft Assembly (521)	1
	140654	1208-1X1R	Rotor & Shaft Assembly (1021)	1
16.	140740	1358	Grease Seal	2
17.	140618	1164-1	Bearing Cap	2
18.	140862	2158	Grease Zerk – 1/8" NPT	2
19.	140800	1769	Bearing Housing	2
20.	140725	1343	Seal Vent Relief Fitting – 1/8" NPT	2

Ref No.	Item Number	Part Number	Description	Qty.
21A.	140801	1769-XA6 ^a	Complete Seal Assembly Kit. Includes bearing housing, seat adapter plate, bearings, retainer rings, seal, & O-Rings.	2
21B.	140802	1769-XRA6 ^a	Seal Assembly Field Replacement Kit. Includes only the seal & O-Rings.	2
22.	140615	1163-2 ^d	Sideplate (521)	2
	140660	1209-1 ^d	Sideplate (1021)	2
23.	Special Order	1161-4	Head (521)	2
	140652	1205-4	Head (1021)	2
24.	140850	2754-X	Roller Bearing – Complete	2
	140852	2755	Bearing Inner Race	2
	140827	2754	Bearing Outer Race	2
25.	140854	2760-244	Retainer Ring	2
26.	140725	1343	Grease Relief Fitting – 1/8" NPT	2
27.	140935	2-128A	Shaft O-Ring (Buna-N Only)	2
28.	140824	1822	Seat Adapter Plate	2
29.	140945	2-240A ^a	Adapter Plate O-Ring	2
30.	140950	2-261A ^a	Case O-Ring (521)	2
	140955	2-268A ^a	Case O-Ring (1021)	2
31.	140813	2270	Key – 1/4"	2
32.	Special Order	2949	Nameplate	1
33.	Special Order	3442	Plug – 1/4" NPT	1
34.	Special Order	7001-031NC125A	Hex Head Bolt – 5/16-18 X 1 1/4" (521)	4
	140540	7001-037NC125A	Hex Head Bolt – 3/8-16 X 1 1/4" (1021)	4
35.	140540	7001-037NC125A	Hex Head Bolt – 3/8-16 X 1 1/4" (521)	28
	140540	7001-037NC125A	Hex Head Bolt – 3/8-16 X 1 1/4" (1021)	32
36.	140546	7001-037NC150A	Hex Head Bolt – 3/8-16 X 1 1/2"	8
37.	-----	Not Sold Separately ^b	Retainer	2
38.	-----	Not Sold Separately ^b	Seal Seat	2
39.	140931	2-227A ^a	Seal Seat O-Ring	2
40.	140817	2159	Lubricap #2	2
41.	Special Order	1359	Lubrication Instruction Tag	2
42.	Special Order	7003-004 DR0198	Round Head Plated Drive Screw – 4 X 3/16	2

Material Code	
A	Buna-N
B	Neoprene ^{® c}
D	Viton ^{® c}
E	Teflon ^{® c}

^a denotes material code. See material code chart for details.

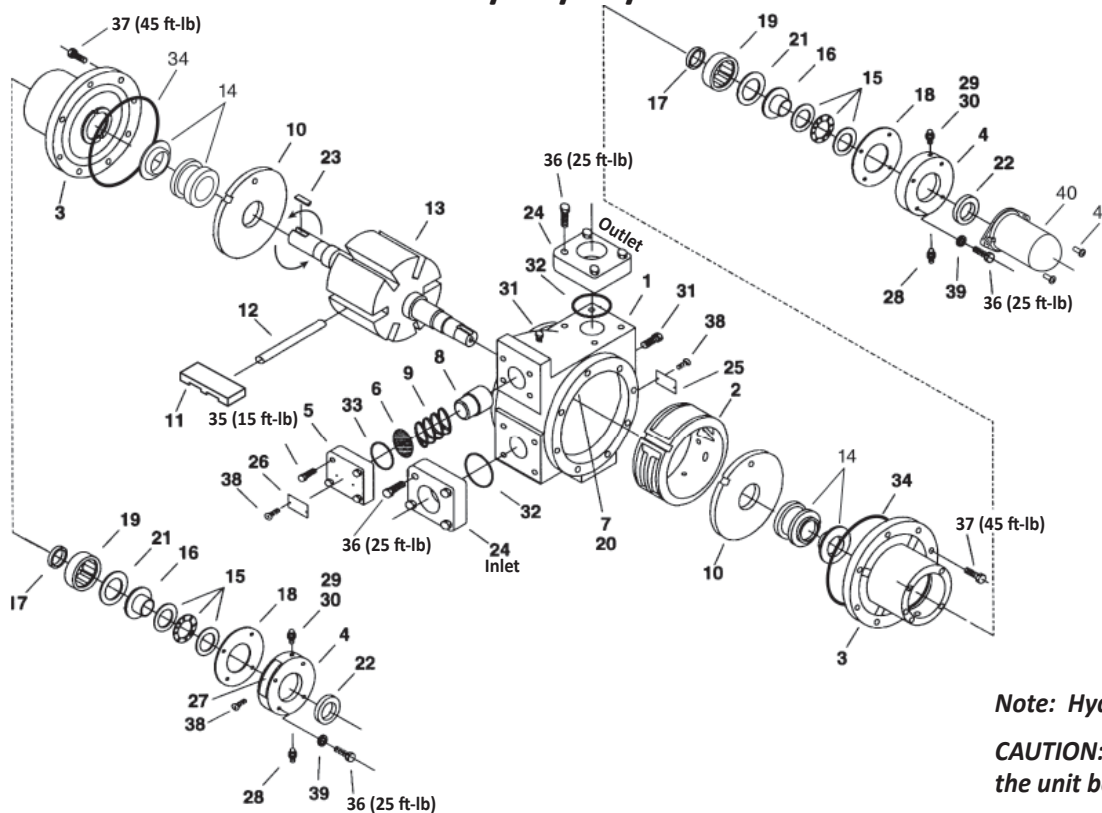
^b Not Sold Separately. Available with 1769-X₆^a, & 1769-XR₆^a only.

^c Registered Trademarks of the DuPont company.

^d See Sideplate replacement instructions.

Buna-N Standard O-Ring Material

Parts Details for Models Z/ZH/ZX/ZXH2000



O-Ring Code	
A	Buna-N
B	Neoprene ^{® a}
D	Viton ^{® a}
E	Teflon ^{® a}

Buna-N Standard O-Ring Material

Note: Hydraulic motor is not shown.

CAUTION: Always relieve pressure in the unit before attempting any repairs.

Ref No.	Item Number	Part Number	Description	Qty.
1.	Special Order	4413	Case	1
2.	145004	4414	Cam	1
3.	Special Order	4416	Head	2
4.	145001	4417	Bearing Cap	2
5.	Special Order	1174-3	Relief Valve Cap	1
6.	140355	4282	Shim (Z2000, ZH2000)	1
	140355	4282	Shim (ZX2000, ZXH2000)	3
7.	Special Order	4424	Cam Key	1
8.	Special Order	4425	Relief Valve	1
9.	Special Order	4426	Relief Valve Spring (Z2000, ZH2000)	1
	140712	1240	Relief Valve Spring (ZX2000, ZXH2000)	1
10.	140190	4427	Sideplate	2
11.	145006	4428 ^b	Vane	6
12.	140352	4262-X	Vane Driver	3
13.	140181	4430-X2R	Rotor — Shaft Assembly	1
14.	Special Order	4431-XA2 ^b	Mechanical Seal Assy — Cast Iron	2
	140201	4431-XA6 ^b	Mech Seal Assy — Silicone Carbide	2
15.	140500	4432	Thrust Bearing Assembly	2
16.	140501	4435	Bearing Race Mounting Ring	2
17.	140787	4438	Grease Seal	2
18.	140502	4439	Bearing Cap Shim (.002) Red	As Req.
	140356	4439-1	Bearing Cap Shim (.010) Brown	
	140503	4439-2	Bearing Cap Shim (.020) Yellow	
19.	140850	2754-X	Bearing	2
20.	140708	3253	Cam Key Pin	2

Ref No.	Item Number	Part Number	Description	Qty.
21.	140854	2760-244	Retainer Ring	2
22.	140511	4441	Grease Seal	2
23.	140813	2270	Shaft Key — 1/4" X 1 9/16"	2
24.	Special Order	4479-2	Flange — 2" NPT	2
	Special Order	4479-2S	Flange — 2" Welded	
25.	Special Order	2649	Nameplate	1
26.	Special Order	4248	Relief Valve Nameplate (Z2000, ZX2000)	1
	Special Order	4248-1	Relief Valve Nameplate (ZX2000, ZXH2000)	1
27.	Special Order	1359	Lubrication Instruction Plate	2
28.	140725	1343	1/8" NPT Relief Fitting	4
29.	Special Order	2158	1/8" NPT Grease Zerk	2
30.	140817	2159	Lubricap	2
31.	Special Order	3442	1/4" NPT Pipe Plug	2
32.	140970	2-231A	O-Ring — Flange ³	2
33.	140938	2-224A	O-Ring — Relief Valve Cap ³	1
34.	140950	2-261A	O-Ring — Case ³	2
35.	Special Order	7001-031-NC125A	Bolt — Hexagon Head	4
36.	140546	7001-037-NC150A	Bolt — Hexagon Head	16
37.	140524	7001-043-NC125A	Bolt — Hexagon Head	16
38.	Special Order	7012-006-SF025E	Screw	8
39.	Special Order	7206-037A	Lock Washer	8
40.	140603	4985	Shaft Protector	1
41.	Special Order	7012-010SF050E	Screw	2

^a Registered trademarks of the DuPont Company.

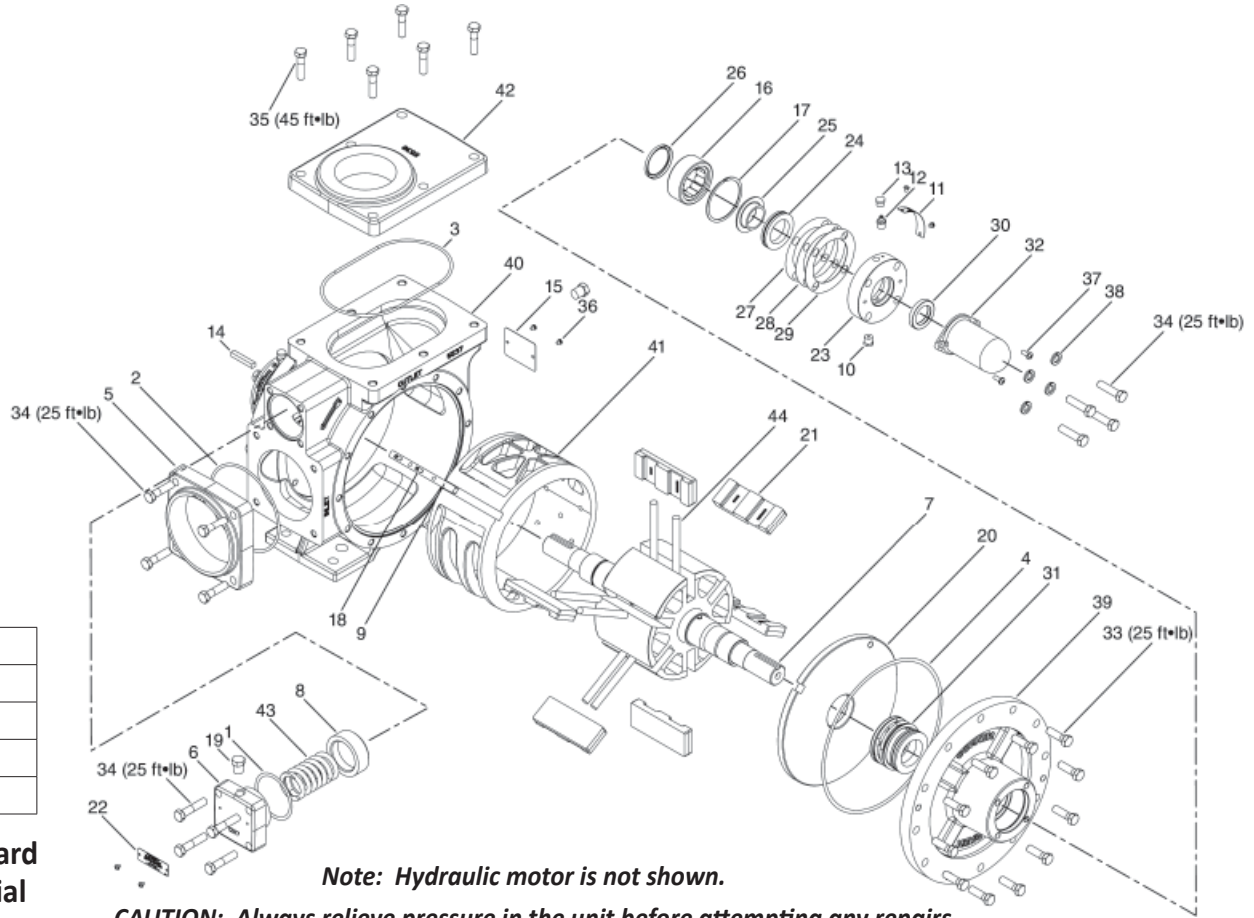
^b Slots in vanes must face TOWARDS the direction of rotation.

³ Denotes O-Ring code. See chart above.

Z-Series Pumps Breakdown



Parts Details for Models Z3500



O-Ring Code	
A	Buna-N
B	Neoprene ^{® a}
D	Viton ^{® a}
E	Teflon ^{® a}

Buna-N Standard O-Ring Material

Note: Hydraulic motor is not shown.

CAUTION: Always relieve pressure in the unit before attempting any repairs.

Ref No.	Item Number	Part Number	Description	Qty.
1.	140939	2-228A ^b	O-Ring ²	1
2.	140946	2-245A ^b	O-Ring ²	1
3.	140631	2-259A ^b	O-Ring ²	1
4.	140955	2-268A ^b	O-Ring ²	2
5.		1206-3	Inlet Flange — 3" NPT	1
	Special Order	1206-4	Inlet Flange — 4" NPT	1
	Special Order	1206-3S	Inlet Flange — 3" WF	1
	Special Order	1206-4S	Inlet Flange — 4" WF	1
6.	Special Order	1207-2	Relief Valve Cap	1
7.	140659	1208-1X6R	Rotor Shaft Assembly	1
8.	140656	1224	Relief Valve	1
9.	Special Order	1309	Cam Key	1
10.	140725	1343	Grease Relief Fitting	4
11.	Special Order	1359	Lubrication Plate	2
12.	Special Order	2158	Grease Zerk	2
13.	140817	2159	Lubricap	2
14.	140813	2270	Shaft Key — 1/4"	1
15.	Special Order	2649	Nameplate	1
16.	140850	2754-X	Roller Bearing	2
17.	140854	2760-244	Retainer Ring	2
18.	140708	3253	Cam Key Pin	2
19.	Special Order	3442	Pipe Plug — 1/4" NPT	2
20.	Special Order	3935	Sideplate	2
21.	141152	3936 ^c	Vane ³	6
22.	Special Order	4248	Relief Valve Warning Tag	1

Ref No.	Item Number	Part Number	Description	Qty.
23.	Special Order	4417	Bearing Cap	2
24.	140500	4432	Thrust Bearing Assembly	2
25.	140501	4435	Thrust Bearing Mounting Ring	2
26.	140787	4438	Grease Seal / Oil Seal	2
27.	140502	4439	Bearing Cap Shim — 0.002" (Red)	2
28.	140356	4439-1	Bearing Cap Shim — 0.010" (Brown)	2
29.	140503	4439-2	Bearing Cap Shim — 0.020" (Yellow)	2
30.	140511	4441	Grease Seal	2
31.	Special Order	6660-XA2 ^b	Mechanical Seal Assembly — Cast Iron	2
		140394	6660-XA6 ^b	Mechanical Seal Assembly — Silicon Carbide
32.	Special Order	4985	Coro-Vane Shaft Cover	1
33.	140540	7001-037NC125A	Hex Head Bolt	24
34.	Special Order	7001-037NC150A	Hex Head Bolt	16
35.	Special Order	7001-043NC150A	Hex Head Bolt	6
36.	Special Order	7012-006SF019E	Screw	9
37.	Special Order	7012-010SF050E	Screw	2
38.	Special Order	7206-037A	Lock Washer — 0.375"	8
39.	Special Order	5534	Head	2
40.	Special Order	5537	Case	1
41.	140184	5539	Cam	1
42.	Special Order	5538	Outlet Flange — 3" FNPT Elongated	1
	Special Order	5538-3S	Outlet Flange — 3" WF Elongated	1
43.	Special Order	5548	Spring	1
44.	Special Order	5554-X	Vane Driver	6

^a Registered trademarks of the DuPont Company.

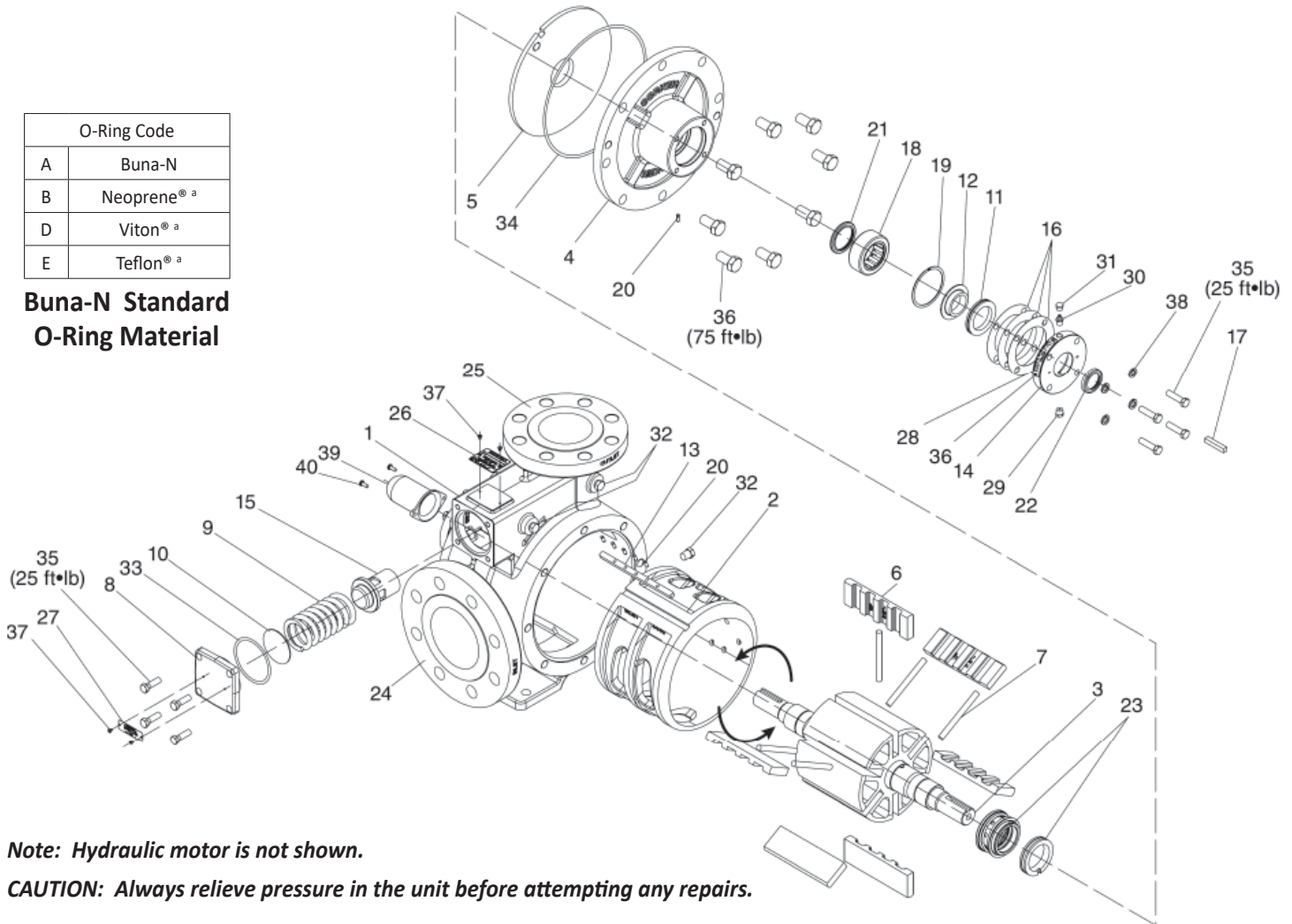
^b Denotes O-Ring code. See chart above.

^c Slots in vanes must face TOWARDS the direction of rotation.

Parts Details for Models Z4500

O-Ring Code	
A	Buna-N
B	Neoprene ^{® a}
D	Viton ^{® a}
E	Teflon ^{® a}

Buna-N Standard O-Ring Material



Note: Hydraulic motor is not shown.

CAUTION: Always relieve pressure in the unit before attempting any repairs.

Ref No.	Item Number	Part Number	Description	Qty.
1.	Special Order	5522	Case	1
2.	140515	4443	Cam	1
3.	140516	4444-X2R	Rotor-Shaft Assembly	1
4.	Special Order	4445	Head	2
5.	140512	4446	Sideplate	2
6.	140198	4448 ^c	Vane	6
7.	140513	4449-X	Vane Driver	5
8.	Special Order	4450	Relief Valve Cap	1
9.	Special Order	4451	Relief Valve Spring	1
10.	Special Order	4452	Shim	1
11.	141215	4453	Thrust Bearing Assembly	2
12.	141210	4454	Bearing Race Mounting Ring	2
13.	Special Order	4455	Cam Key	1
14.	Special Order	4456	Bearing Cap	2
15.	Special Order	4457	Relief Valve	1
16.	Special Order	4458	Bearing Cap Shim (.002) Red	As Req.
	Special Order	4458-1	Bearing Cap Shim (.010) Brown	
	Special Order	4458-2	Bearing Cap Shim (.020) Yellow	
17.	Special Order	4459	Shaft Key — 5/16" X 1 3/4"	1
18.	140517	4460-X	Roller Bearing	2

Ref No.	Item Number	Part Number	Description	Qty.
19.	141200	2760-283	Retainer Ring	2
20.	140708	3253	Cam Key Pin	5
21.	141205	4462	Grease Seal	2
22.	140514	4463	Grease Seal	2
23.	Special Order	4464-XA2 ^b	Mechanical Seal Assembly — Cast Iron	2
	140199	4464-XA6 ^b	Mechanical Seal Assembly — Silicon Carbide	2
24.	----	----	Inlet Flange — 4" ANSI	1
25.	----	----	Outlet Flange — 3" ANSI	2
26.	Special Order	2649	Nameplate	1
27.	Special Order	4248	Relief Valve Nameplate	1
28.	Special Order	1359	Lubrication Instruction Plate	2
29.	140725	1343	1/8" NPT Relief Fitting	4
30.	140862	2158	1/8" NPT Grease Zerk	2
31.	140817	2159	Lubricap	2
32.	Special Order	3442	1/4" NPT Pipe Plug	2
33.	140940	2-234A ^b	O-Ring — Relief Valve	1
34.	140971	2-270A ^b	O-Ring — Case	2
35.	140546	7001-037NC150A	Bolt — Hexagon Head	16
36.	Special Order	7001-062NC125A	Bolt — Hexagon Head	16
37.	Special Order	7012-006SF019E	Screw	8
38.	Special Order	7206-037A	Lock Washer	8
39.	140603	4985	Shaft Cover	1
40.	Special Order	7012-010SF050E	Screw	2

^a Registered trademark of the DuPont Company.

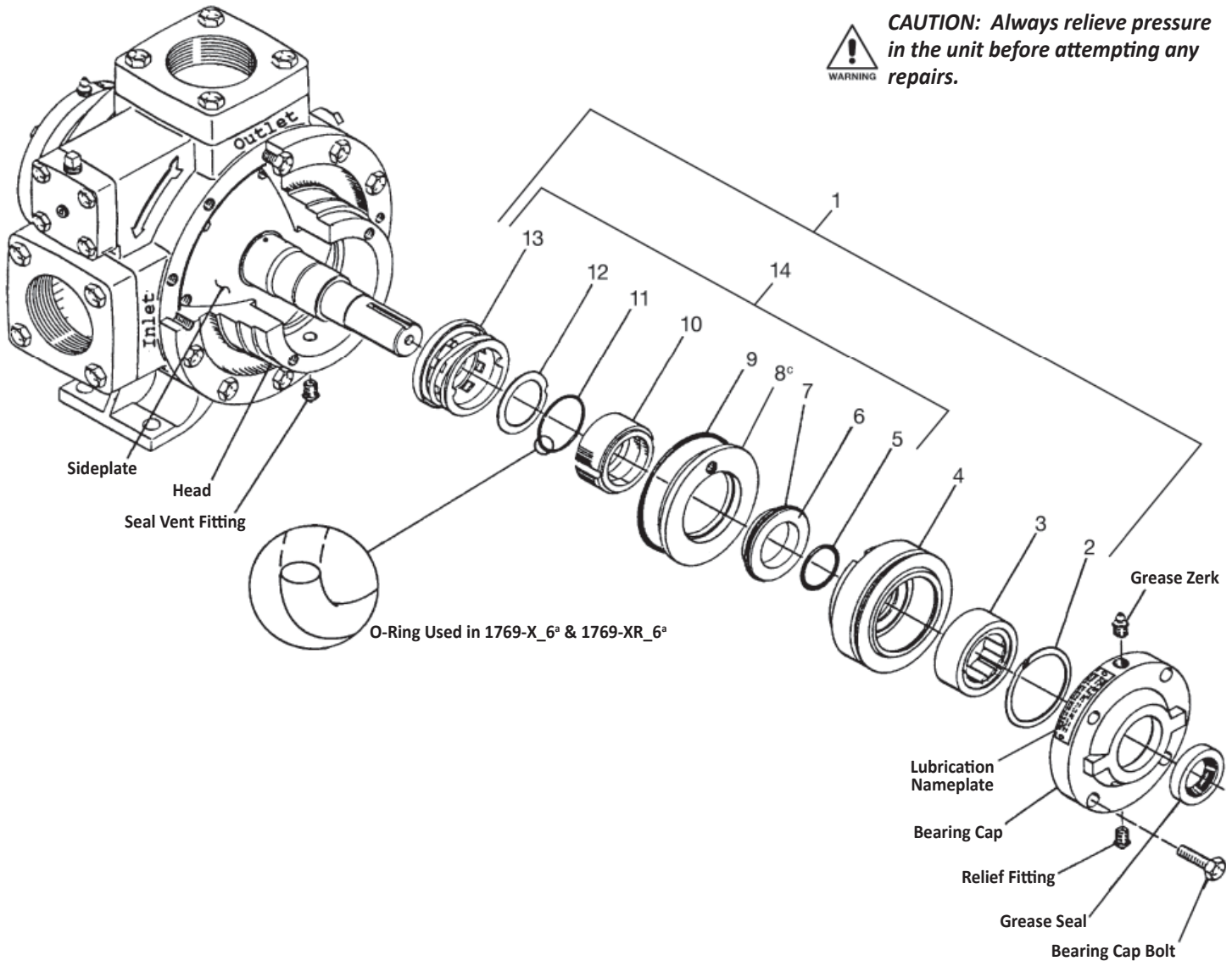
^b _ Denotes O-Ring code. See chart above.

^c Slots in vanes must face TOWARDS the direction of rotation.

1769-XRA Seal Assembly Parts Details for Models 521 & 1021



CAUTION: Always relieve pressure in the unit before attempting any repairs.



Ref No.	Item Number	Part Number	Description	Qty.
1.	140801	1769-XA6 ^a	Complete Seal Assembly	1
2.	140854	2760-244	Retainer Ring	1
3.	140850	2754-X	Roller Bearing — Complete	1
	140827	2754	Bearing Outer Race	1
	140852	2755	Bearing Inner Race	1
4.	140800	1769	Bearing Housing	1
5.	140935	2-128A ^a	Shaft O-Ring	1
6.	-----	Not Sold Separately ^d	Seal Seat	1
7.	140931	2-227A ^a	Seal Seat O-Ring	1
8.	140824	1822 ^c	Seat Adapter Plate	1
9.	140945	2-240A ^a	Adapter Plate O-Ring	1
10.	-----	Not Sold Separately ^d	Carbon Seal	1
11.	140936	2-223A ^a	Rotor O-Ring	1
12.	-----	Not Sold Separately ^d	Disc	1
13.	-----	Not Sold Separately ^d	Retainer Assembly	1
14.	140802	1769-XRA6 ^a	Field Replacement Seal Assembly	1

Material Code	
A	Buna-N
B	Neoprene [®] ^b

^a _ denotes material code. See material code chart for details.

^b Registered Trademark of the DuPont company.

^c Not included in field replacement seal assembly.

^d Not Sold Separately. Available with 1769-X_6°, & 1769-XR_6° only.

Buna-N Standard O-Ring Material

Corken Bare Compressor with Flywheel

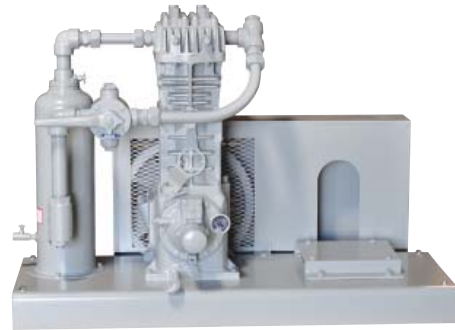
Item Number	Part Number	Approximate Capacity
140200	91AJ3FBANSNN	23-46 GPM
140211	291AM3FBANSNN	45-85 GPM
140221	491AM3FBANSNN	85-181 GPM
140231	691AM3FBANSNN	165-338 GPM



291



491



491-107

Corken Base Mounted Compressors

Item Number	Part Number	RPM	3 Phase Motor - HP	Frame Size
140250	91AJ3FBANSNN-107-1-695-184T	695	5	184T
140261	291AM3FBANSNN-107-3-695-215T	695	10	215T
140271	491AM3FBANSNN-107-5-670-254T	670	15	254T
140281	691AM3FBANSNN-107-7-640-256T	640	20	256T

107 Style - Mounting includes steel baseplate, mechanical liquid trap, non-lube 4-way valve, interconnecting piping, strainer, adjustable driver side base, V-belt drive and enclosed belt guard. Pressure gauges are mounted on the compressor. Motor sold separately.

291 Compressor Parts

Item Number	Part Number	Description	Qty.
141061	3483-1X1 *	Suction Valve	2
140914	3485-X *	Discharge Valve	2
140735	1367 *	Connecting Rod Bearing	2 Pair
140745	1452-1X1 *	Packing Set	2
140806	1772 *	Piston Rings	6
140799	1775 *	Ring Expander	6
140665	1281-XA *	Gasket Set	1
140667	1278 *	Oil Seal	1
140605	1132-X2	Crosshead Assembly	2
140969	1983-X	Piston Assembly	2
140944	2-235A	Head O-Ring	2
140921	3550-X1	Repair Kit *	1

All Repair Kits are Furnished with Buna-N O-Rings.

Provide **Model & Serial Number when Ordering Parts.**

* These Parts are Included in Repair Kits.

491 Compressor Parts

Item Number	Part Number	Description	Qty.
141067	2532-1X *	Suction Valve	2
140828	2439-X *	Discharge Valve	2
140864	2448 *	Valve Cage	4
140760	1491 *	Connecting Rod Bearing	2 Pair
140745	1452-1X1 *	Packing Set	2
140759	1773 *	Piston Rings	6
140761	1776 *	Ring Expander	6
140769	1481-X6A *	Gasket Set	1
140714	2-242A *	O-Ring	2
141142	2-253A *	O-Ring	2
140764	1507 (490 Only) *	Oil Seal	1
140787	4438 (491 Only) *	Oil Seal	1
140733	1486 *	Adapter Plate Gasket	1
140746	1384-X	Crosshead Assembly	2
140701	1985-X	Piston Assembly	2
140754	1481	Head Gasket	2
140922	3551-X1	Repair Kit *	1

Teco-Westinghouse Motors				
Item Number	Part Number	Horsepower	Frame Size	Specifications
141400	NP0054	5	184T	TEFC 3-Phase 50/60 Hz 1800 RPM 208/230/460
141405	NP7/54	7.5	213T	
141410	NP0104	10	215T	
141415	NP0154	15	254T	
141420	NP0204	20	256T	
141425	NP0254	25	284T	



NP0154

Krug Compressor		
Item Number	Part Number	Description
141101	H50-GL	18 - 50 GPM Gasoline Compressor

Engine

- 4 HP Lauson Engine

Compressor

- 2 Cylinder 10.7 cu. in.
- Suction Port 1/2" FNPT.
- Discharge Port 1/2" FNPT.
- 1000 rpm.



H50-GL



GH-P

Krug Hand Pump				
Item Number	Part Number	Inlet FNPT	Outlet FNPT	Capacity
141098	GH-P	1"	3/4"	6 Gal. @ 40 Strokes/Min.

Blackmer Bare Pumps				
Item Number	Part Number	Inlet	Outlet	Approximate Flow Rate
142052	LGLD2E	2" FNPT	2" FNPT	67 GPM
142057	LGL3021A	3" FNPT	3" FNPT	133 GPM
142058	LGLD3F			112 GPM
142036	LGLD4B			270 GPM

LGL3021 is a direct replacement for Corken 1021 & Z3500.

See www.blackmer.com for Technical Info.



LGLD2E



LGLD4B

Blackmer Base Mounted Pumps			
Item Number	Part Number	Inlet & Outlet	Frame Size
142048	LGLD2E-VBR0266	2" FNPT	Specify (184T or 213T)
142061	LGL3021A-VBR0341	3" FNPT	Specify (213T or 215T)
142056	LGLD3F-VBR0341		254T
142059	LGLD4B-VBR0277		



LGL3021A-VB

Motor Sold Separately On Page 68.

Blackmer Pump Repair Kits					
Item Number	142513	142516	142518	142538	142533
Part Number	898994	898917	898918	898919	898976
Model Numbers	LGF1E, LGB1E, LGF1PE & LGB1PE	LGRL1.25 LGR1F 1.25A (4 Vane) <u>LGRLF1.25</u>	LGL1.25 LGLF 1.25A (4 Vane) <u>LGLF1.25</u>	LGL1.5 LGLF1.5A (4Vane)	LGRL1.25, LGLF1.25A LGL1.25, LGLF1.25A LGL1.5, LGLF1.5A (8 Vane)
O-Ring (Spring Guide)	711940 (1) *	-----	-----	-----	-----
O-Ring (R/V Cover)	701965 (1) *	711924 (1) *	711924 (1) *	711924 (1) *	711924 (1) *
O-Ring (R/V Cap)	-----	701949 (1) *	701949 (1) *	701949 (1) *	701949 (1) *
Vanes - Set	092913 (6) *	093088 (4) *	093088 (4) *	093088 (4) *	093088 (8) *
Push Rod	-----	123004 (2) *	123076 (2) *	123401 (2) *	-----
Bearings	903405 (2) *	903114 (2) *	903114 (2) *	903114 (2) *	903114 (2) *
Bearing Lockwasher	903532 (2) *	903533 (2) *	903533 (2) *	903533 (2) *	903533 (2) *
Bearing Cover Gasket	383075 (1) *	383075 (2) *	383075 (2) *	383075 (2) *	383075 (2) *
Disc	-----	063075 (2) *	063075 (2) *	063075 (2) *	063075 (2) *
O-Ring (Head)	711941 (1) *	701918 (2) *	701918 (2) *	701918 (2) *	701918 (2) *
Grease Seal	331934 (1) *	331927 (1) *	331927 (1) *	331927 (1) *	331927 (1) *
Mechanical Seal	332920 (2) *	333045 (2) *	333045 (2) *	333045 (2) *	333045 (2) *
Shaft Key	909152 (1) *	909152 (1) *	909152 (1) *	909152 (1) *	909152 (1) *

* Items included in repair kits.

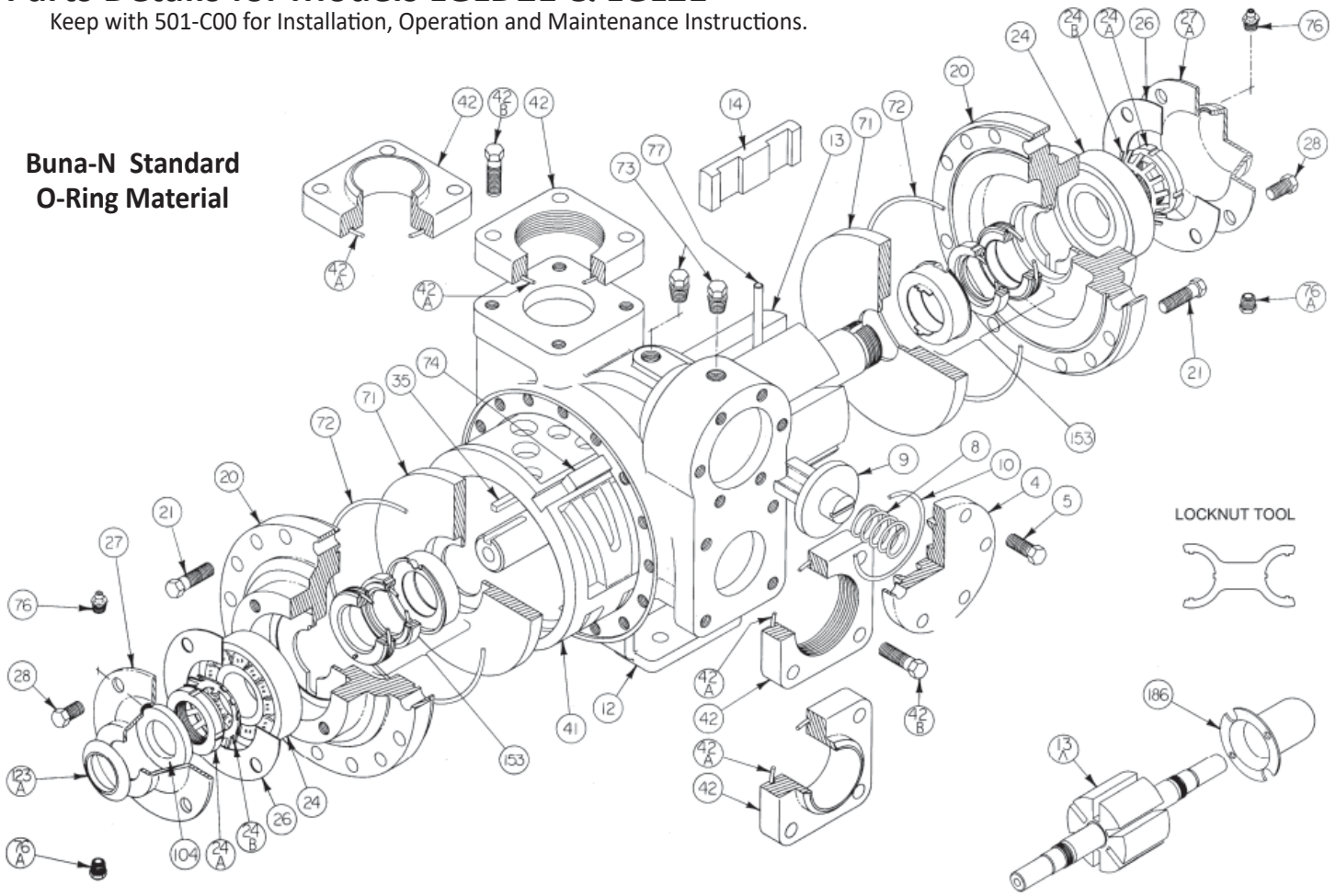
Blackmer Pump Repair Kits					
Item Number	142522	142535	142539	142527	142527
Part Number	898979	898981	898980	898922	898922
Model Numbers	LGL2E LGLD2E	LGL3F LGLD3F <u>LGL3E, LGLD3E</u>	TLGLF3C	LGL4B LGLD4A, LGLD4B <u>LGL4, LGL4A, LGLD4</u>	TLGLF4B <u>TLGLF4A</u> <u>TLGLF4</u>
Relief Valve Spring	471423 (1)	475135 (1)	471428 (1)	472039 (1)	472039 (1)
O-Ring (R/V Cover)	701919 (1) *	701925 (1) *	701919 (1) *	701946 (1) *	701946 (1) *
O-Ring (R/V Cap)	-----	-----	-----	701926 (1) *	701926 (1) *
Vanes - Set	091419 (6) *	095131 (6) *	095132 (6) *	092019 (6) *	092019 (6) *
Push Rod	123905 (3) * <i>St/</i>	125110 (3) * <i>St/</i>	121607 (3) * <i>St/</i>	122005 (3) * <i>St/</i>	122009 (3) * <i>Com</i>
Bearings	903156 (2) *	903166 (2) *	903156 (2) *	903166 (2) *	903166 (2) *
Bearing Lockwasher	903522 (2) *	903524 (2) *	903522 (2) *	903542 (2) *	903524 (2) *
Bearing Cover Gasket	383940 (2) *	385125 (1) *	383940 (2) *	385125 (2) *	385125 (1) *
Disc	064412 (2) *	065112 (2) *	065121 (2) *	062039 (2) *	062039 (2) *
O-Ring (Head)	702022 (2) *	702041 (2) *	711923 (2) *	702039 (2) *	702039 (2) *
O-Ring (Flange)	702004 (2) *	702002 (2) *	702004 (2) *	701937 (2) *	702004 (2) *
O-Ring (Flange) Older Pumps	-----	-----	701919 (2) *	-----	-----
Grease Seal	331918 (1) *	331908 (1) *	331918 (2) *	331908 (2) *	331908 (2) *
Dirt Shield	701480 (1) *	-----	701480 (2) *	-----	-----
Mechanical Seal	334439 (2) *	335225 (2) *	334439 (2) *	332050 (2) *	332050 (2) *
Shaft Key	909209 (1) *	909209 (1) *	909130 (1) *	909183 (1) *	909183 (1) *

* Items included in repair kits. *St/* = Steel Pushrod *Com* = Composition Pushrod

Parts Details for Models LGLD2E & LGL2E

Keep with 501-C00 for Installation, Operation and Maintenance Instructions.

**Buna-N Standard
O-Ring Material**



Ref No.	Item Number	Part Number	Description	Qty.
4	Special Order	414401	Cover — Relief Valve (R/V)	1
5	Special Order	920331	Capscrews — R/V Cover	6
8	142387	¹ 471423	Spring — R/V	1
9	142378	454405	Valve — R/V	1
10	142438	¹ 701919	O-Ring — R/V Cover	1
12	142080	014405	Casing	1
13	142201	264443	Rotor & Shaft Assy. — LGL (includes Ref. Nos. 24A & 24B)	1
13A	142207	² 264445	Rotor & Shaft Assy. — LGLD ⁵ (includes Ref. Nos. 24A & 24B)	1
14	142139	¹ 091419	Vane — Duravane (Std.)	6
20	142106	034416	Head	2
21	Special Order	920351	Capscrews — Head (Size 2)	32
24	142536	¹ 903156	Ball Bearing	2
24A	142544	² 903521	Locknut — Bearing	2
24B	142546	¹ 903522	Lockwasher — Bearing	2
26	142288	¹ 383940	Gasket — Bearing Cover	2
27	142112	041431	Bearing Cover (Inboard) ³	1
27A	142114	041433	Bearing Cover (Outboard) ⁴	1
28	Special Order	920285	Capscrews — Bearing Cover	8-12

Ref No.	Item Number	Part Number	Description	Qty.
35	Special Order	^{1,7} 909209	Key — Shaft, 1/4" Square	1
41	142178	² 184405	Liner	1
42	Special Order	654401	Flange — NPT	2
	Special Order	654405	Flange — Weld	
42A	142477	¹ 702004	O-Ring — Flange	2
42B	Special Order	920384	Capscrew — NPT Flange	8
	Special Order	920351	Capscrew — Weld Flange	
71	142131	¹ 064412	Disc	2
72	142475	¹ 702022	O-Ring — Head	2
73	Special Order	908198	Gage Plug	2
74	142176	^{2,8} 183991	Key — Liner	1
76	142206	317815	Grease Fitting	2
76A	142478	701992	Grease Relief Fitting	2
77	142172	^{1,6} 123905	Push Rod	3
104	142240	^{1,3} 331918	Grease Seal	1
123A	142432	^{1,3} 701480	Dirt Shield	1
186	Special Order	341601	Shaft Protector (LGLD Models Only)	1
---	142549	903091	Tool — Locknut	---
---	142522	898979	Kit — Maintenance	---
---	142529	899079	Kit — Rebuild	---

¹ Included in Maintenance Kit & Rebuild Kit.

² Included in Rebuild Kit.

The following applies to double end shaft pumps (LGLD): ³ Use Two. ⁴ Use None.

⁵ Double-Ended Rotor & Shaft.

⁶ 2" Pushrod is Metal, 3" is Composite.

⁸ Pumps before April 2008 used Woodruff key 909130, included in Maintenance Kits.

⁸ Pumps before 1995 require liner key 184407.

LGL Series Pumps Breakdown



Parts Details for Models LGLD2E & LGL2E

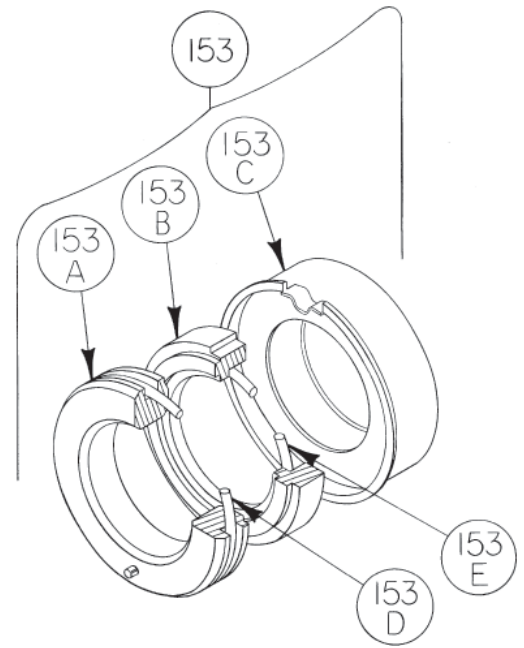
Mechanical Seal — NH₃ Or Dual Service — SNCN (ID Code = QA)

Ref No.	Item Number	Part Number	Description	Qty.
153	142253	¹ 334439	Mechanical Seal Assembly	2
153A	Special Order	*	Stationary Seat (Hardened Steel)	2
153B	Special Order	*	Seal Face (Carbon)	2
153C	Special Order	*	Jacket Assembly	2
153D	Special Order	711924	O-Ring — Stationary (Buna-N)	2
153E	142496	711918	O-Ring — Rotating (Buna-N)	2

¹Included in Maintenance Kit & Rebuild Kit.

* Note: Mechanical Seal Assy. (Ref 153) is only sold as a complete assembly.

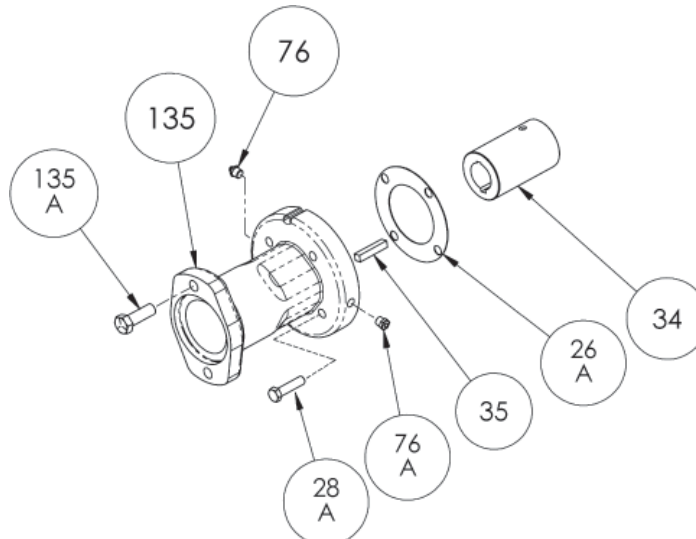
Ref. Nos. 153A, 153B, & 153C are not available as separate replacement parts.



Optional 1 1/4" Hydraulic Motor Adapter Parts

Ref No.	Item Number	Part Number	Description	Qty.
See Below	Special Order	894425	Hydraulic Motor Adapter Kit *	See Below
26A	142288	383940	Gasket — Hydraulic Motor Adapter	1
28A	Special Order	920369	Capscrew — Hydraulic Motor Adapter / Head	4 / 6
34	Special Order	906967	Coupling w/ Setscrew — 1.25" Straight Key Hyd. Motor Shaft	1
35	Special Order	909184	Key — Coupling	1
76	142206	317815	Grease Fitting	1
76A	142478	701992	Grease Relief Fitting	1
135	Special Order	041827	Hydraulic Motor Adapter — SAE A Flange	1
135A	Special Order	920510	Capscrew — Adapter / Motor	2

* Hydraulic Motor Adapter Kits shipped prior to Spring 2002 were of a two piece design — refer to page 206-C00.

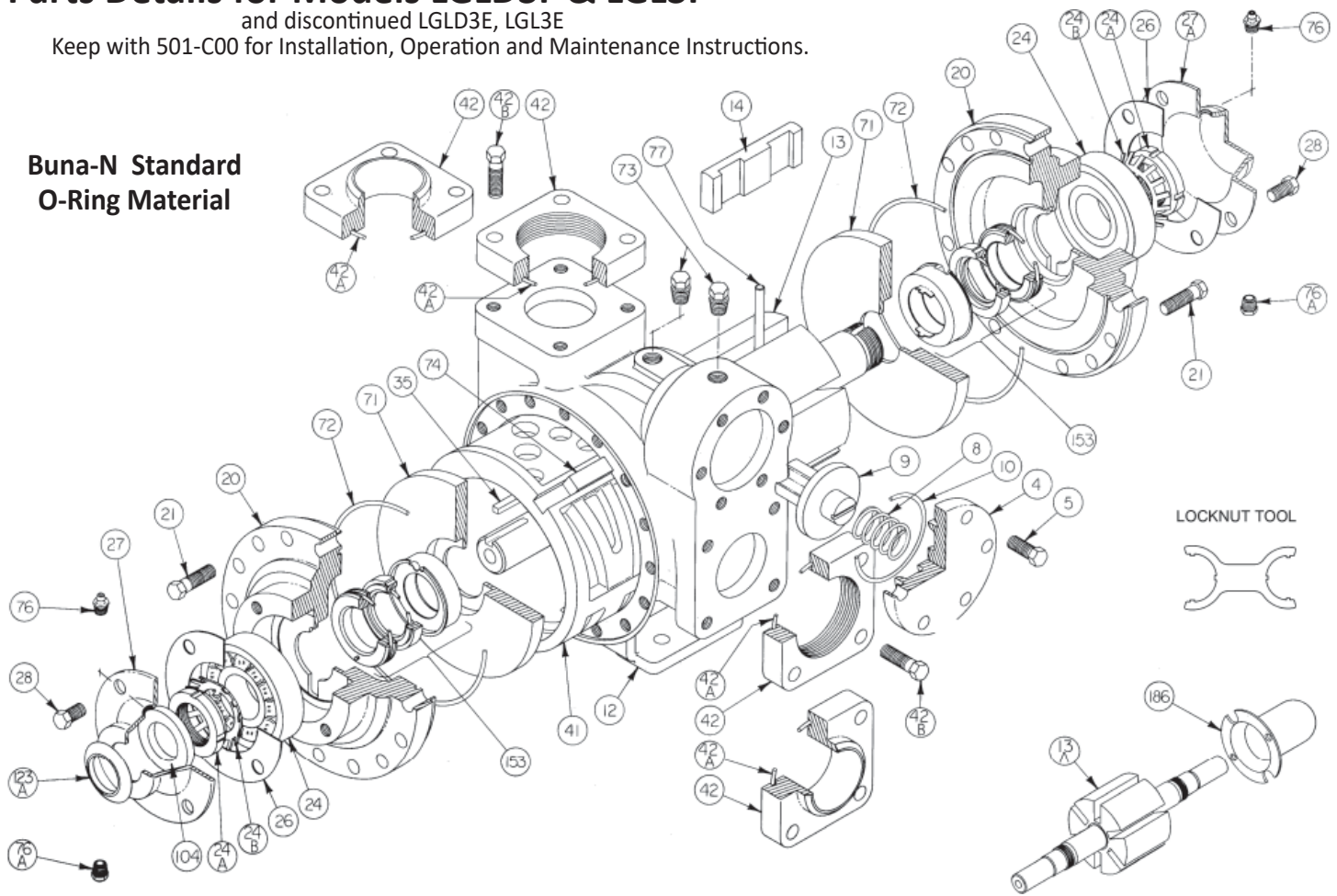


Parts Details for Models LGLD3F & LGL3F

and discontinued LGLD3E, LGL3E

Keep with 501-C00 for Installation, Operation and Maintenance Instructions.

**Buna-N Standard
O-Ring Material**



Ref No.	Item Number	Part Number	Description	Qty.
4	142322	415113	Cover — Relief Valve (R/V)	1
5	Special Order	920331	Capscrews — R/V Cover	6
8	142407	¹ 475135	Spring — R/V	1
9	142380	455129	Valve — R/V	1
10	142444	¹ 701925	O-Ring — R/V Cover	1
12	Special Order	015127	Casing	1
13	142202	265149	Rotor & Shaft Assy. — LGL (includes Ref. Nos. 24A & 24B)	1
13A	142205	² 265148	Rotor & Shaft Assy. — LGLD ⁵ (includes Ref. Nos. 24A & 24B)	1
14	142159	¹ 095131	Vane — Duravane (Std.)	6
20	142110	035128	Head	2
21	Special Order	920369	Capscrews — Head (Size 3)	40
24	142537	¹ 903166	Ball Bearing	2
24A	142548	² 903523	Locknut — Bearing	2
24B	142550	¹ 903524	Lockwasher — Bearing	2
26	142292	¹ 385125	Gasket — Bearing Cover	2
27	142116	041815	Bearing Cover (Inboard) ³	1
27A	142118	041817	Bearing Cover (Outboard) ⁴	1
28	Special Order	920285	Capscrews — Bearing Cover	8-12

Ref No.	Item Number	Part Number	Description	Qty.
35	Special Order	^{1,7} 909209	Key — Shaft, 1/4" Square	1
41	142184	² 185111	Liner	1
42	142426	655112	Flange — NPT	2
	Special Order	655102	Flange — Weld	
42A	142473	¹ 702002	O-Ring — Flange	2
42B	Special Order	920547	Capscrew — NPT Flange	8
	Special Order	920510	Capscrew — Weld Flange	
71	142133	¹ 065112	Disc	2
72	142479	¹ 702041	O-Ring — Head	2
73	Special Order	908198	Gage Plug	2
74	142186	² 185191	Key — Liner	1
76	142206	317815	Grease Fitting	2
76A	142478	701992	Grease Relief Fitting	2
77	Special Order	^{1,6} 125110	Push Rod	3
104	142234	^{1,3} 331908	Grease Seal	1
123A	Special Order	N/A	Dirt Shield	1
186	142553	341801	Shaft Protector (LGLD Models Only)	1
---	142549	903091	Tool — Locknut	---
---	142535	898981	Kit — Maintenance	---
---	142530	899081	Kit — Rebuild	---

¹ Included in Maintenance Kit & Rebuild Kit.

² Included in Rebuild Kit.

The following applies to double end shaft pumps (LGLD): ³ Use Two. ⁴ Use None.

⁵ Double-Ended Rotor & Shaft.

⁶ 2" Pushrod is Metal, 3" is Composite.

⁷ Pumps before April 2008 used Woodruff key 909130, included in Maintenance Kits.

⁸ Pumps before 1995 require liner key 184407.

LGL Series Pumps Breakdown



Parts Details for Models LGLD3F, LGL3F and discontinued LGLD3E, LGL3E

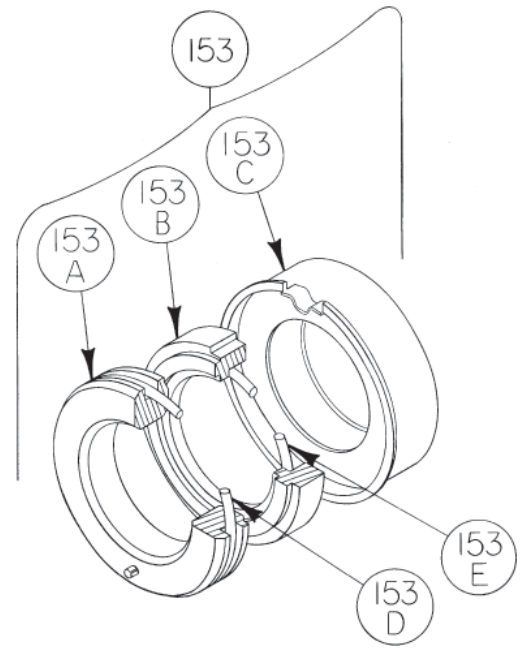
Mechanical Seal — NH₃ Or Dual Service — SNCN (ID Code = QA)

Ref No.	Item Number	Part Number	Description	Qty.
153	142273	¹ 335225	Mechanical Seal Assembly	2
153A	Special Order	*	Stationary Seat (Hardened Steel)	2
153B	Special Order	*	Seal Face (Carbon)	2
153C	Special Order	*	Jacket Assembly	2
153D	142449	702025	O-Ring — Stationary (Buna-N)	2
153E	Special Order	711912	O-Ring — Rotating (Buna-N)	2

¹Included in Maintenance Kit & Rebuild Kit.

* Note: Mechanical Seal Assy. (Ref 153) is only sold as a complete assembly.

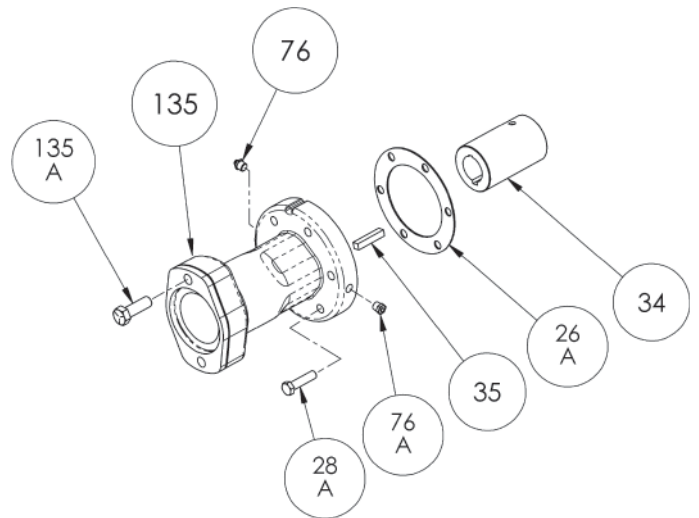
Ref. Nos. 153A, 153B, & 153C are not available as separate replacement parts.



Optional 1" Hydraulic Motor Adapter Parts

Ref No.	Item Number	Part Number	Description	Qty.
See Below	142557	895143	Hydraulic Motor Adapter Kit *	See Below
26A	Special Order	381817	Gasket — Hydraulic Motor Adapter	1
28A	Special Order	920369	Capscrew — Hydraulic Motor Adapter / Head	4 / 6
34	Special Order	906990	Coupling w/ Setscrew — Straight Key Hyd. Motor Shaft	1
35	Special Order	909184	Key — Coupling	1
76	142206	317815	Grease Fitting	1
76A	142478	701992	Grease Relief Fitting	1
135	Special Order	041831	Hydraulic Motor Adapter — SAE A Flange	1
135A	Special Order	920510	Capscrew — Adapter / Motor	2

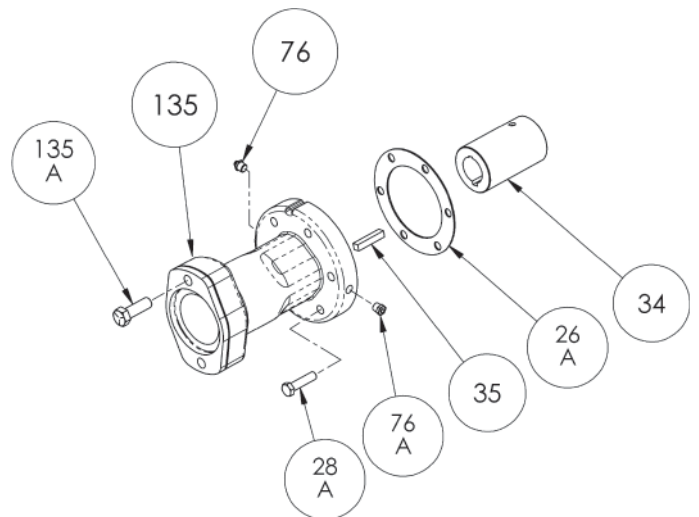
* Hydraulic Motor Adapter Kits shipped prior to Spring 2002 were of a two piece design — refer to page 206-C00.



Optional 1 1/4" Hydraulic Motor Adapter Parts

Ref No.	Item Number	Part Number	Description	Qty.
See Below	142528	895140	Hydraulic Motor Adapter Kit *	See Below
26A	Special Order	381817	Gasket — Hydraulic Motor Adapter	1
28A	Special Order	920369	Capscrew — Hydraulic Motor Adapter / Head	4 / 6
34	Special Order	906967	Coupling w/ Setscrew — 1.25" Straight Key Hyd. Motor Shaft	1
35	Special Order	909184	Key — Coupling	1
76	142206	317815	Grease Fitting	1
76A	142478	701992	Grease Relief Fitting	1
135	Special Order	041831	Hydraulic Motor Adapter — SAE A Flange	1
135A	Special Order	920510	Capscrew — Adapter / Motor	2

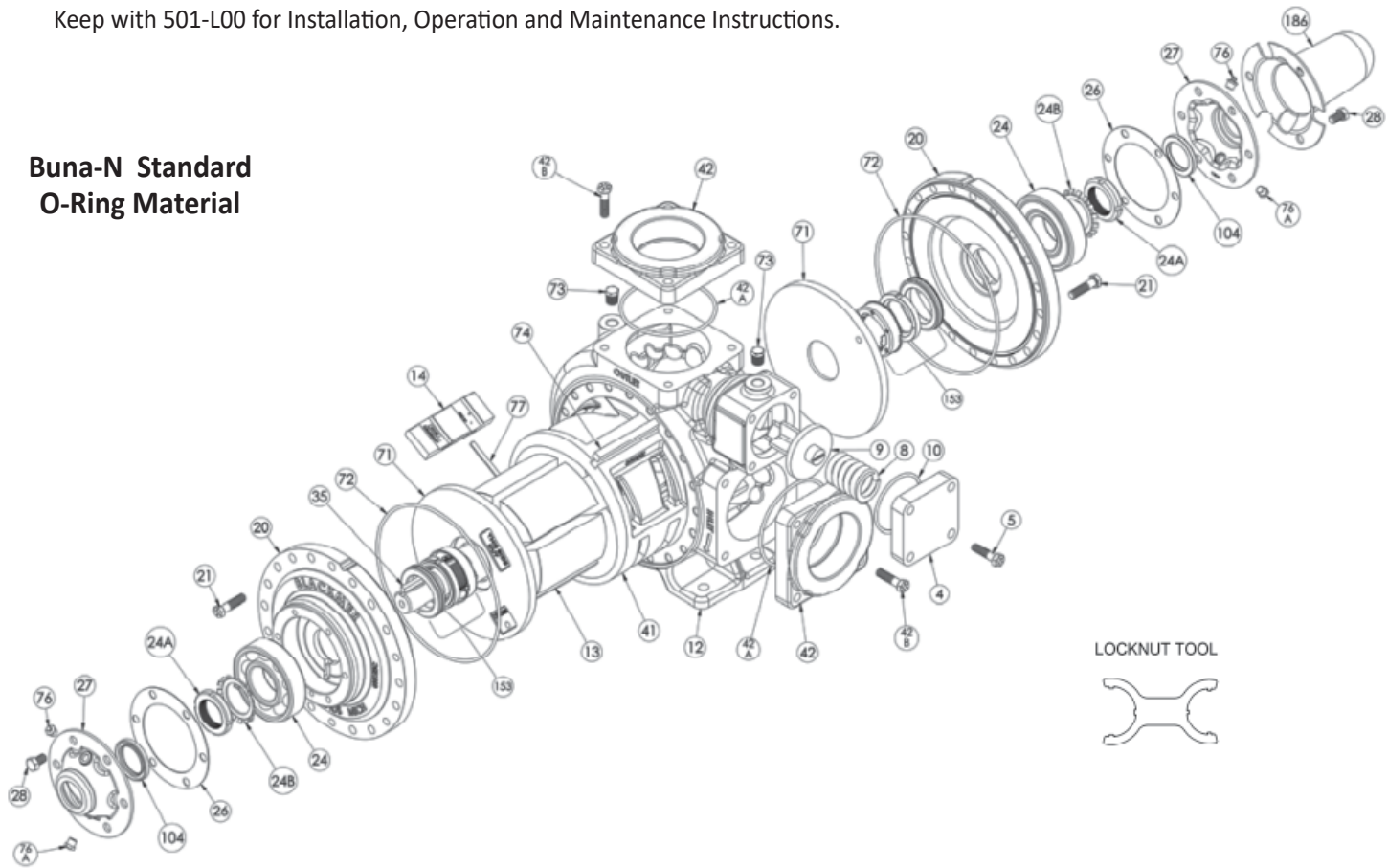
* Hydraulic Motor Adapter Kits shipped prior to Spring 2002 were of a two piece design — refer to page 206-C00.



Parts Details for Models LGL3021A

Keep with 501-L00 for Installation, Operation and Maintenance Instructions.

**Buna-N Standard
O-Ring Material**



Ref No.	Item Number	Part Number	Description	Qty.
4	Special Order	415115	Cover — Relief Valve (R/V)	1
5	Special Order	920379	Capscrews — R/V Cover	4
8	142407	¹ 475135	Spring — R/V	1
9	142380	455129	Valve — R/V	1
10	142506	¹ 711941	O-Ring — R/V Cover	1
12	Special Order	015131	Casing	1
13A	Special Order	² 265190	Rotor & Shaft Asy. (includes Ref. Nos. 24A & 24B)	1
14	142159	¹ 095131	Vane — Duravane	6
20	142110	035128	Head	2
21	Special Order	920379	Capscrews — Head	40
24	142537	¹ 903166	Ball Bearing	2
24A	142548	² 903523	Locknut — Bearing	2
24B	142550	¹ 903524	Lockwasher — Bearing	2
26	142292	¹ 385125	Gasket — Bearing Cover	2
27	142116	041815	Bearing Cover	2
28	Special Order	920285	Capscrews — Bearing Cover	12
35	Special Order	¹ 909209	Key — Shaft, 1/4" Square	1

Ref No.	Item Number	Part Number	Description	Qty.
41	142184	² 185111	Liner	1
42	Special Order	655132	Flange — NPT 3"	2
	Special Order	655133	Flange — NPT 4"	
42A	142491	¹ 712245	O-Ring — 3" Flange	2
	Special Order	¹ 794126	O-Ring — 4" Flange	
42B	Special Order	920379	Capscrew — NPT Flange	8
71	142133	¹ 065112	Disc	2
72	142479	¹ 702041	O-Ring — Head	2
73	Special Order	908198	Gage Plug	2
74	142186	² 185191	Key — Liner	1
76	142206	317815	Grease Fitting	2
76A	142478	701992	Grease Relief Fitting	2
77	142169	¹ 125110	Push Rod	3
104	142234	¹ 331908	Grease Seal	2
186	142553	341801	Shaft Protector	1
---	142549	903091	Tool — Locknut	---
---	Special Order	899195	Kit — Maintenance	---
---	Special Order	899095	Kit — Rebuild	---

¹ Included in Maintenance Kit & Rebuild Kit.

² Included in Rebuild Kit.

Parts Details for Models LGL3021A

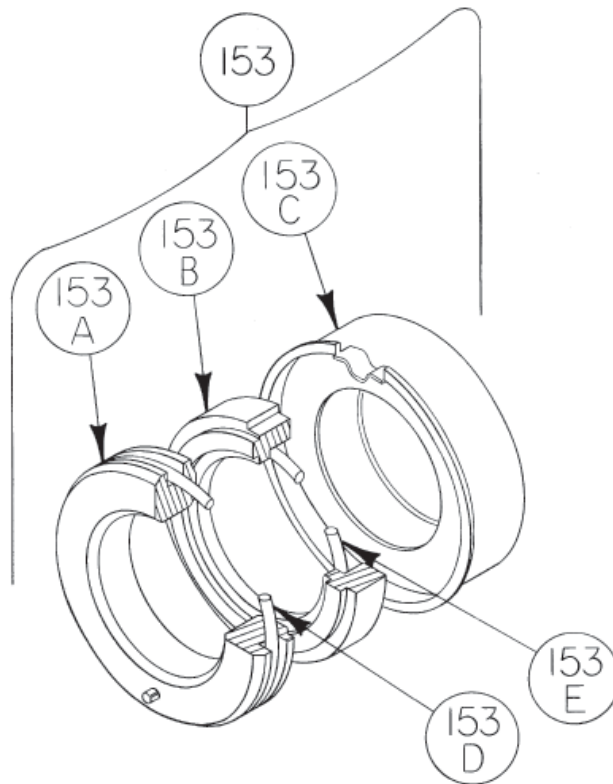
Mechanical Seal — NH₃ Or Dual Service — SNCN (ID Code = QA)

Ref No.	Item Number	Part Number	Description	Qty.
153	142273	¹ 335225	Mechanical Seal Assembly	2
153A	Special Order	*	Stationary Seat (Steel)	2
153B	Special Order	*	Seal Face (Carbon)	2
153C	Special Order	*	Jacket Assembly	2
153D	142449	702025	O-Ring — Stationary (Buna-N)	2
153E	Special Order	711912	O-Ring — Rotating (Buna-N)	2

¹Included in Maintenance Kit & Rebuild Kit.

* Note: Mechanical Seal Assy. (Ref 153) is only sold as a complete assembly.

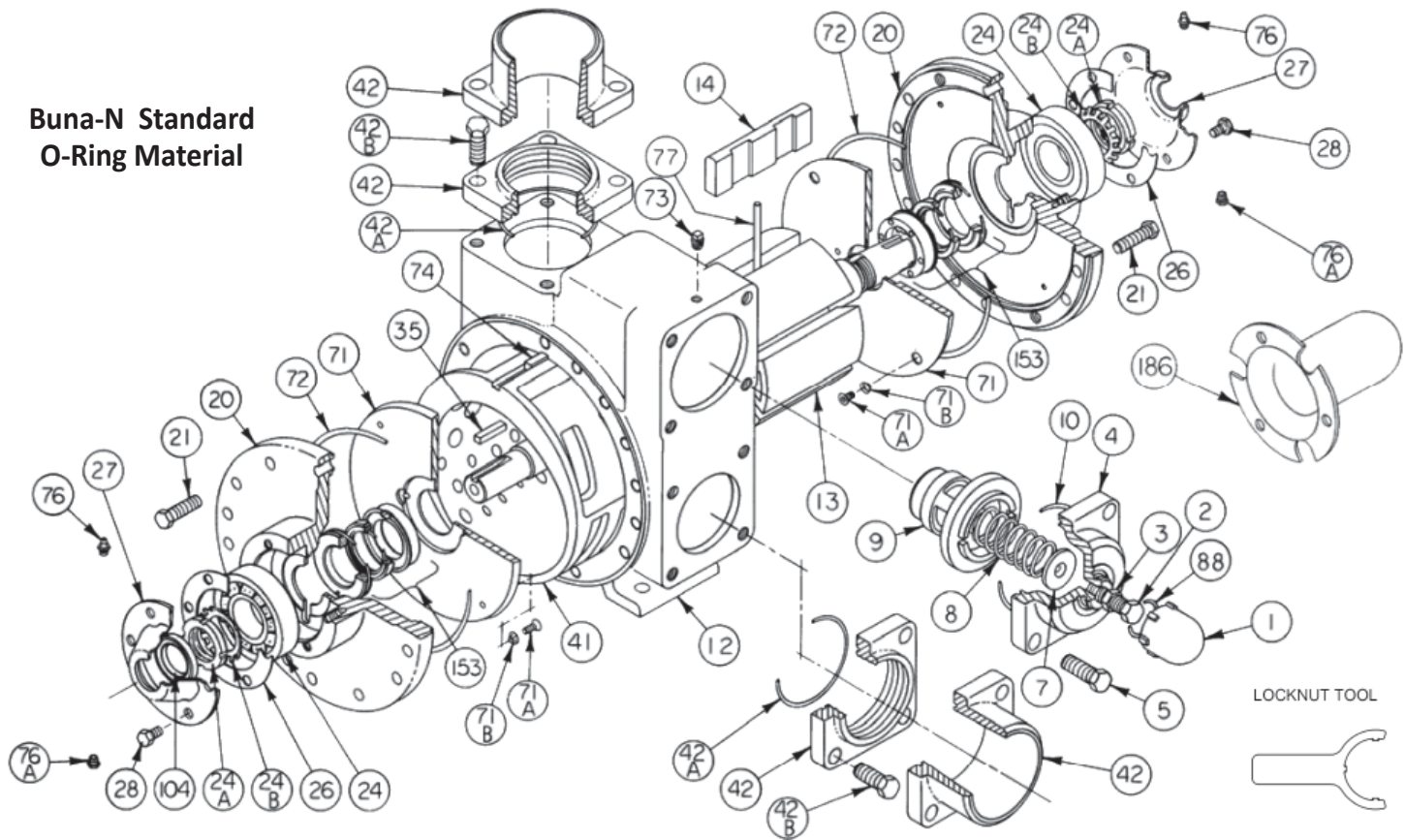
Ref. Nos. 153A, 153B, & 153C are not available as separate replacement parts.



Parts Details for Models LGLD4B

Keep with 501-E00 for Installation, Operation and Maintenance Instructions.

**Buna-N Standard
O-Ring Material**



Ref No.	Item Number	Part Number	Description	Qty.
1	Special Order	413957	Cap — Relief Valve (R/V)	1
2	Special Order	436310	Adjusting Screw — R/V	1
3	Special Order	432039	Locknut — Adjusting Screw	1
4	Special Order	412001	Cover — R/V	1
5	Special Order	920663	Capscrews — R/V Cover	4
7	142338	426355	Spring Guide — R/V	1
8	142404	¹ 472039	Spring — R/V	1
9	142360	452001	Valve — R/V	1
10	142458	¹ 701946	O-Ring — R/V Cover	1
12	Special Order	012019	Casing	1
13	142194	262023	Rotor & Shaft Asy. — Single End (includes Ref. Nos. 24A & 24B)	1
14	142145	¹ 092019	Vane — Duravane	6
20	142104	032041	Head	2
21	142614	920532	Capscrews — Head	28
24	142540	¹ 903172	Ball Bearing	2
24A	142555	903541	Locknut — Bearing	2
24B	142556	¹ 903542	Lockwasher — Bearing	2
26	142292	¹ 385125	Gasket — Bearing Cover	2
27	142116	041815	Bearing Cover — Inboard LGL4B	1
27A	142118	041817	Bearing Cover — Outboard LGL4B	1
28	Special Order	920285	Capscrews — Bearing Cover	12

Ref No.	Item Number	Part Number	Description	Qty.	
35	142578	¹ 909183	Key — Shaft	1	
41	142173	182000	Liner	1	
42	142416	652012	Flange - 3" NPT	1-2	
	Special Order	652007	Flange - 3" Weld		
	Special Order	652005	Flange - 4" Weld		
42A	142452	¹ 701937	O-Ring — NPT, Weld Flange	2	
42B	Special Order	920663	Capscrew — NPT Flange	8	
	142617	920640	Capscrew — Weld Flange		
71	142129	¹ 062039	Disc	2	
71A	145284	920015	Machine Screw — Disc	8	
71B	Special Order	909634	Lockwasher — Machine Screw	8	
72	142481	¹ 702039	O-Ring — Head	2	
73	Special Order	908198	Gage Plug	2	
74	Special Order	182040	Key — Liner	1	
76	142206	317815	Grease Fitting	2	
76A	142478	701992	Grease Relief Fitting	2	
77	142167	¹ 122005	Push Rod — Metal — LGLD4B	3	
88	142445	¹ 701926	O-Ring — R/V Cap	1	
104	142234	¹ 331908	Grease Seal — LGLD4B	1	
		142545	Tool — Locknut	---	
		142527	898922	Kit — Maintenance	---

¹Included in Maintenance Kit.

Parts Details for Models LGLD4B

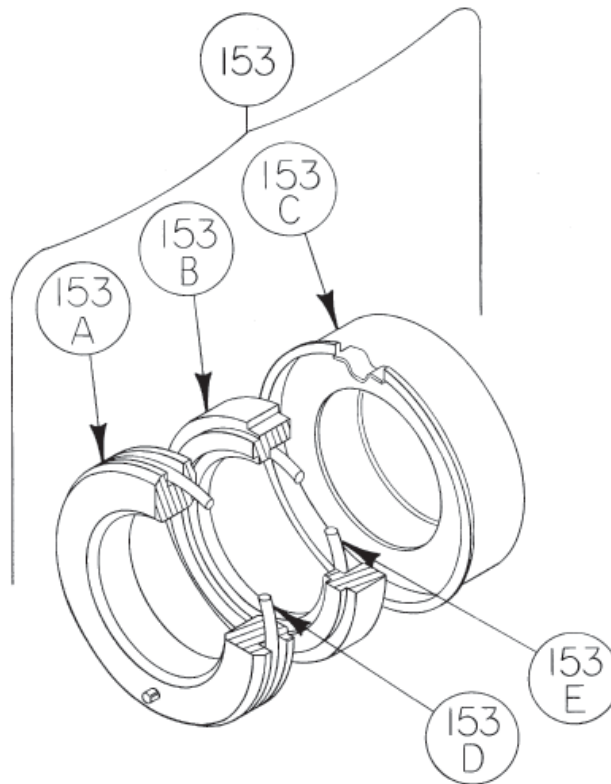
Mechanical Seal

Ref No.	Item Number	Part Number	Description	Qty.
153	142252	¹ 332050	Mechanical Seal Assembly	2
153A	Special Order	*	Stationary Seat (Hardened Steel)	2
153B	Special Order	*	Seal Face (Carbon)	2
153C	Special Order	*	Jacket Assembly	2
153D	142451	701934	O-Ring — Stationary (Buna-N)	2
153E	Special Order	711912	O-Ring — Rotating (Buna-N)	2

¹Included in Maintenance Kit & Rebuild Kit.

* Note: Mechanical Seal Assy. (Ref 153) is only sold as a complete assembly.

Ref. Nos. 153A, 153B, & 153C are not available as separate replacement parts.



Float Gauges are designed to indicate the liquid level contents of Anhydrous-Ammonia(NH3) Containers. These gauges mount in a Senior flanged adaptor. Senior gauges come with a Buna-N gasket (130122) & four zinc-plated steel mounting screws (130119 – 5/16”-24 X 7/8”). A Visible “4” Dial is available.

Note: Torque mounting bolts evenly to 30 to 60 in-lb.

Senior NH3 Sizes						
Item Number	Part Number	Tank Diameter	Head Type	Mount	Replacement Dials	
					Drop-In Dials	Tabbed Dials
130431	AA130A	24"	Aluminum	Top	130018	130041
140433	AA160A	30"	Aluminum		130018	130041
130435	AA194A	37"	Aluminum		130018	130041
130437	AA214E	41"	Aluminum		130018	130041
130425	AA240A	46"	Aluminum		130018	130041
130426	AA250A	48"	Aluminum		130018	130041
130440	AC130A	24"	Aluminum	45° Angle	130018	130041
130443	AC160A	30"	Aluminum		130018	130041
130444	AC194A	37"	Aluminum		130018	130041
130447	AC214B	41"	Aluminum		130018	130041
130449	AC240A	46"	Aluminum		130018	130041
130450	AD080B	24"	Aluminum	Side, End	130018	130041
130452	AD100D	30"	Aluminum		130018	130041
130455	AD120E	37"	Aluminum		130018	130041
130457	AD140A	41"	Aluminum		130018	130041
130427	AD150A	46"	Aluminum		130018	130041
130459	AD160J	48"	Aluminum		130018	130041

Senior Gauge Parts	
Item Number	Part Number
130119	Sr. Gauge Screw
130122	Sr. Gauge Gasket Buna-N
130130	Sr. Gauge Gasket Teflon
130131	Sr. Gauge Gasket Spirotallic
130104	Sr. Gauge Head Only



Tabbed Dial



Drop-In Dial



N-Serve SS Gauges

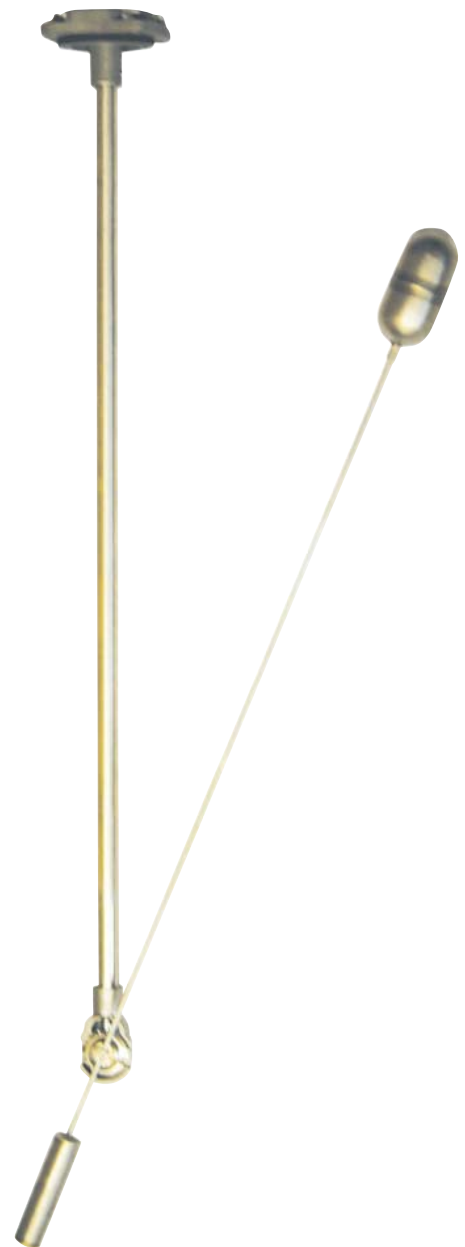


Float Gauges are designed to indicate the liquid level contents of Anhydrous-Ammonia(NH3) Containers. These gauges mount in a Senior flanged adaptor & are N-Serve compatible. Senior gauges come with a Buna-N gasket (130122) & four zinc-plated SS steel mounting screws (403631 – 5/16”-24 X 7/8”). A Visible “4” Dial is available.

Note: Torque mounting bolts evenly to 30 to 60 in.-lb. for Buna-N and Teflon Gaskets. Torque mounting bolts evenly to 115-125 in.-lb. for Spirotallic gasket.

Senior N-Serve SS Sizes					
Item Number	Part Number	Tank Diameter	Head Type	Mount	Replacement Dials
290000	AA41SS	41”	Stainless Steel	Top	130041
290001	AA46SS	46”	Stainless Steel		130041

Senior Gauge Parts	
Item Number	Part Number
403631	SS Cap Screws
130119	Sr. Gauge Screw
130122	Sr. Gauge Gasket Buna-N
130130	Sr. Gauge Gasket Teflon
130131	Sr. Gauge Gasket Spirotallic
130104	Sr. Gauge Head Only



Float Gauges are designed to indicate the liquid level contents of Anhydrous-Ammonia(NH3) Containers. These gauges mount in a Junior flanged adaptor. Junior gauges come with a Buna-N gasket (130121) & four zinc-plated steel mounting screws (130118 – 5/16”-24 X 7/8”).

Note: Torque mounting bolts evenly to 20 to 50 in-lb.

Junior NH3 Sizes						
Item Number	Part Number	Tank Diameter	Head Type	Mount	Replacement Dials	
					Drop-In Dials	Tabbed Dials
130400	BA124A	24”	Aluminum	Top	130029	130049
130402	BA154A	30”	Aluminum		130029	130049
130403	BA214B	41”	Aluminum		130029	130049

Junior Gauge Parts	
Item Number	Part Number
130118	Jr. Gauge Screw
130121	Jr. Gauge Gasket Buna-N
130134	Jr. Gauge Gasket Teflon
130101	Jr. Gauge Head Only



Tabbed Dial



Drop-In Dial



Flow Indicators



Indicates direction of flow of Anhydrous Ammonia(NH3) in piping at working pressures up to 500 psig. The indicator must be installed in piping tees. The head, center shaft, support tube, bearings & vane in these indicators are made of 300 Series stainless steel. Magnets are nickel-plated Alnico, & the threaded mounting adapters are forged steel. The hermetically sealed dial has a large 4" dial face capable of showing flow in both directions or the absence of flow.

Note: Torque mounting bolts to 140 to 150 in-lb.

Flow Indicator Standard Sizes

Item Number	Part Number	Pipe Size	Complete Assembly Includes
130050	5520-2 Complete	2"	5520-2 Flapper, 5520R Dial, 5305 2" Adapter, Screws , Spirotallic Gasket.
130055	5520-2 1/2 Complete *	2 1/2"	5520-2 1/2 Flapper, 5520R Dial, 5305 2" Adapter, Screws, Spirotallic Gasket.
130060	5520-3 Complete #	3"	5520-3 Flapper, 5520R Dial, 5305 2" Adapter, Screws, Spirotallic Gasket.

* Requires a 2 1/2" X 2" Hex Bushing - Sold on Page 55.

Requires a 3" X 2" Hex Bushing - Sold on Page 55.

Flow Indicator Parts

Item Number	Part Number	Case Quantity
130046	5520R Dial *	1 Pc.
130065	5520-2 Flapper Only	1 Pc.
130070	5520-2 1/2 Flapper Only	1 Pc.
130075	5520-3 Flapper Only	1 Pc.
130131	Sr. Spirotallic Gasket	1 Pc.
403631	SS Cap Screws	1 Pc.
130045	5520T Dial *	1 Pc.
118405	5305 2" MNPT X Sr. Head Adaptor	1 Pc.

* Includes Dial, Bezel, Bracket & Screws.



130050



130046

Replacement Dial Ordering Information



Old Style Head



130045

Bracket mounts on top and is secured by two screws on the side of head.



New Style Head



130046

Bracket mounts on top and is secured with dial screws.



5520-2	L Dimension = 3 13/16"
5520-2 1/2	L Dimension = 5 5/16"
5520-3	L Dimension = 5 15/16"

L Dimension is the distance from gasket surface to the end of the flapper.

The RM Series RoadMaster gauges were designed to withstand the vibration and shock inherent in mobile service. Their service life in over-the-road, transports, & bobtails, carrying Anhydrous Ammonia(NH3), is unsurpassed. These gauges allow a continuous reading between 5% and 95% of tank contents.

The RM Series RoadMaster gauges are to be installed in the side or end of mobile tanks at the centerline. They are equipped with a spring controlled shock absorber on the float arm which substantially reduces the stress that quickly destroys conventional gauges. Angle mounting gauges are also available.

The standard model mounts in an 8 bolt adaptor & incorporates a 4" dial with an available 8" dial. When necessary, the dials are easily replaceable.

The RM Series RoadMaster gauges are designed for working pressures ranging from atmospheric to 450 psig.

Note: Refer to Gauge Instructions for mounting bolt torque specifications.

RoadMaster Sizes		
Item Number	Part Number	Tank Diameter
131825	RM1425	56"
131830	RM2030	66"
131833	RM1833	72"
131834	RM1834	74"
131836	RM1836	78"-79"
131832	RM2437	80"
131838	RM2438	82"-84"
131840	RM2440	85"-86"
131941	RM2941	87"
131841	RM1841	88"
131842	RM2942	90"
131245	RM3245	96"

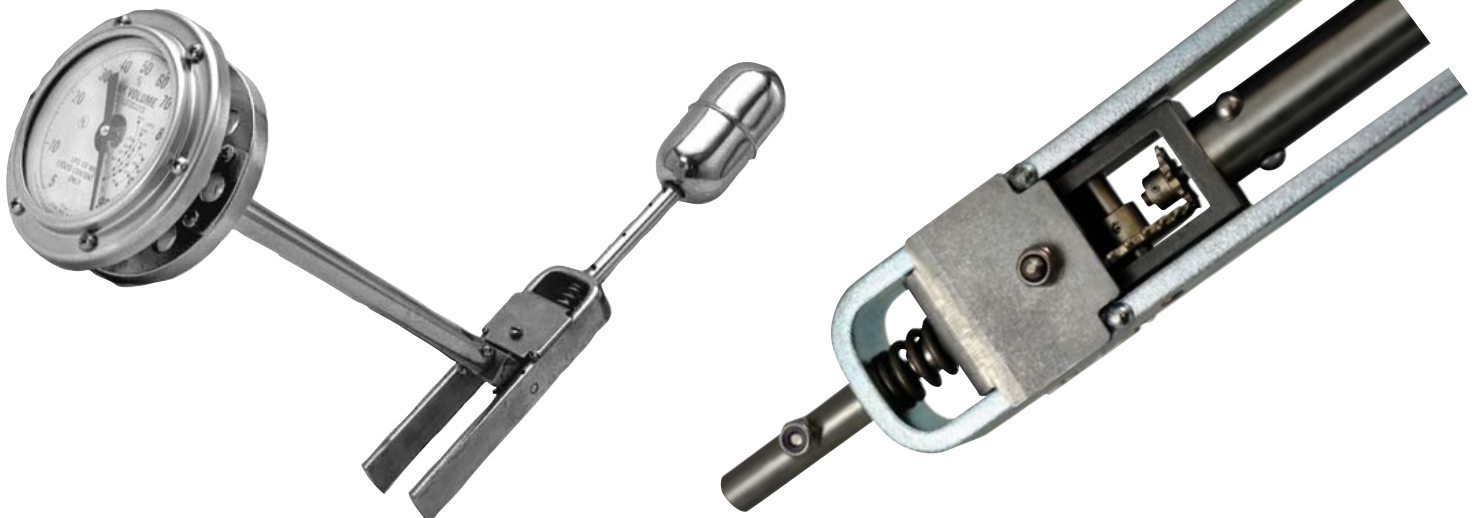
RoadMaster Options	
Suffix	Description
SS	Adds Stainless Steel Counter-Weight
X	Straddle Mount
Y	Includes Adapter To Fit A 2" Opening

Examples:

RM1836SS - A RM1836 with all Stainless Steel construction

RM1836X - A RM1836 for a Straddle Mount

RM1836Y - A RM1836 to fit a 2" opening



RoadMaster Parts		
Item Number	Part Number	Case Quantity
130040	Spirotallic Gasket – Standard	1 Pc.
118425	5331 - 2 1/2" X 8 Bolt Flange Adaptor	1 Pc.
118428	5330 Weld In 8-Bolt Flange Adaptor	1 Pc.
131812	Straddle Mount Adapter w/Screws & Gasket	1 Pc.
130093	Stud Bolt & Nut Kit	1 Pc.
131839	RoadMaster Dial & Bracket Kit - Complete	1 Pc.
131820	RoadMaster R3D Dial Only	1 Pc.
131821	RoadMaster Fluorescent Dial Only	1 Pc.
131822	RoadMaster R3D Fluorescent Dial Only	1 Pc.
131845	RoadMaster Dial Bracket Kit	1 Pc.
131823	RoadMaster Angle Bracket Kit	1 Pc.
131824	RoadMaster Dial Crystal	1 Pc.
131819	RoadMaster Crystal Gasket	1 Pc.



131823
Angle Bracket



131839



131820



131821



131822

The Master Series™ liquid-level gauges are designed to indicate the liquid level contents of Anhydrous Ammonia(NH3) in stationary-storage tanks.

The Master Series™ are available in two basic models:

Model A - Stainless Steel Senior head which mounts to a Senior adaptor.

Model B - Stainless Steel head which mounts to an 8-Bolt flange adaptor.

Both models incorporate a 8" dial with an available 4" dial. When necessary, the dials are easily replaceable. Standard mounting is end or top mounting. These gauges can be special ordered with angle or straddle mounts. The model A comes standard with cap screws (403631) & a Senior spiritallic gasket (130131). The model B comes with a stud & nut kit (130093) and spiritallic gasket (130040).

The Master Series™ gauges are designed for working pressures ranging from atmospheric to 450 psig.

Note: Refer to Gauge Instructions for mounting bolt torque specifications.

Master Sizes							
Item Number	Part Number	Tank Diameter	Tank Opening	Model Type	Mount	Standard Dial	Old NH3 Number
138000	ME2434A	72"	2"	A	Side, End	130090	DD240B
138005	ME2434B		2 1/2"	B	Side, End	130090	DD240A
138010	ME2738A	82"	2"	A	Side, End	130090	DD270D
138015	ME2738B		2 1/2"	B	Side, End	130090	DD270G
138020	ME2839A	84"	2"	A	Side, End	130090	DD280G
138025	ME2839B		2 1/2"	B	Side, End	130090	DD280C
138030	ME3245A	96"	2"	A	Side, End	130090	DD320F
138035	ME3245B		2 1/2"	B	Side, End	130090	DD320B
138040	ME3650A	104"-108"	2"	A	Side, End	130090	DD360A
138045	ME3650B		2 1/2"	B	Side, End	130090	DD360B
138050	ME3862A	130"	2"	A	Side, End	130090	DD430B
138055	ME3862B		2 1/2"	B	Side, End	130090	DD380F

Master Gauge Parts		
Item Number	Part Number	Model Type
118405	5305 2" MNPT X Sr. Head Adaptor	A
118425	5331 2 1/2" X 8 Bolt Flange Adaptor	B
118428	5330 Weld In 8 Bolt Flange Adaptor	B
131812	Straddle Mount Adapter w/Screws & Gasket	B
130206	Master Gasket & Centralizer	B



118428



118425



131812

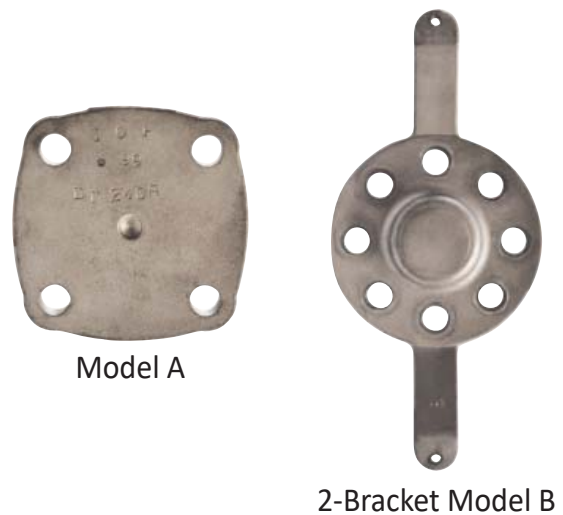


118405

Old Style Master Gauge Parts		
Item Number	Part Number	Model Type
130130	Sr. Teflon Gasket	A
130119	Sr. Gauge Screw *	A
130219	Master Gauge Bolts (8 Req.)	B
130030	4607 NH3 Only Dial 2-Bkt Pre 08	A & B
130035	Master Dial LP or NH3 2-Bkt Pre 08	A & B
130078	Master R3D Dial LP or NH3 2-Bkt Pre 08	A & B
130088	Master Fluorescent Dial LP & NH3 2-BKT	A & B
130094	Master R3D Fluorescent Dial LP & NH3 2-BKT	A & B
130107	Master Hall Effect Dial 2-BKT	A & B
130127	Master Dial Screws 1032-1 (2 Req.)	A & B
130205	Master Dial 2-Bkt Kit	A & B
130076	Master R3D Sender & Cable	A & B

* These screws come in packages of 50 Pcs.

Old Style Heads



Model A

2-Bracket Model B

New Style Master Gauge Parts		
Item Number	Part Number	Model Type
130131	Sr. Spirotallic Gasket – 4-Bolt	A
130145	Model A Gauge Screw	A
130095	Model A Head Strap Post 07	A
130097	Model A Master Dial LP or NH3 Post 07	A
130113	Model A Master R3D Dial Post 07	A
130203	Model A Float Bulb (70-102 DIAMETER) 2.5	A
130208	Model A Float Bulb (103-130 Diameter) 3.5	A
130040	Spirotallic Gasket – 8-Bolt	B
130093	Master Stud Bolt & Nut Kit (8)	B
130098	Master Dial 3-Bkt Kit	B
130090	Master Dial LP or NH3 3-Bkt Post 07	B
130092	4607 NH3 Only Dial 3-Bkt Post 07	B
130034	Master R3D Dial LP or NH3 3-Bkt Post 07	B
130089	Master Fluorescent Dial LP & NH3 3-BKT	B
130099	Master R3D Fluorescent Dial LP & NH3 3-BKT	B
130204	Model B Float Bulb	B
130201	Master Glass Crystal & Gaskets -8"	A & B
130199	Master Lexan Crystal -8" *	A & B
130198	Gasket For Master Lexan Crystal -8" (2 Req.) *	A & B
130076	Master R3D Sender & Cable	A & B

* Must be ordered together.

New Style Heads



Model A

3-Bracket Model B

The Eliminator™ direct-reading float gauge is a direct replacement for 1" NPT rotary-type dip-tube gauges in NH3 storage tanks.

These Gauges are designed for larger tanks up to 96" in diameter. The Eliminator™ is not intended for use in filling tanks - its use is restricted to tanks with fixed liquid level gauges, used to determine when the maximum fill level has been reached.

Eliminator Standard Sizes

Item Number	Part Number	Tank Diameter	Case Quantity
131900	EL4442	42"	1 Pc.
131901	EL6046	46"	1 Pc.
131902	EL6048	48"	1 Pc.
131903	EL6056	56"	1 Pc.
131906	EL6060	60"	1 Pc.
131909	EL7266	66"	1 Pc.
131912	EL7272	72"	1 Pc.
131914	EL8474	74"	1 Pc.
131916	EL8476	76"	1 Pc.
131919	EL8479	79"	1 Pc.
131920	EL8480	80"	1 Pc.
131921	EL8481	81"	1 Pc.
131922	EL8482	82"	1 Pc.
131923	EL8484	84"	1 Pc.

* Any Eliminator installed in a mobile tank greater than 60" is excluded from the Taylor Gauge Limited Warranty and cannot be reworked.



130100

Eliminator Dial

Item Number	Part Number
130100	Eliminator Dial Assy

How To Do The Conversion

1. After the storage tank has been evacuated, remove the rotary gauge from the 1" NPT opening at the centerline of the head. Clean and re-tap the female threads.
2. Remove the two screws from the bezel. Put the bezel, screws and dial chamber aside for the moment. Remove the four mounting screws holding the gauge head to the adapter.
3. Insert the lower portion of the replacement gauge, including the float bulb, float arm, gear housing and counterbalance, into the tank opening.
4. Apply three wraps of 1/2" wide Teflon tape, or other suitable thread sealant, to the 1" NPT threads on the steel adapter through which the gauge support passes.
5. Screw the adapter into the tank opening to achieve a leak-tight joint, and align the gauge mounting holes in the horizontal plane.
6. Using the gasket and four mounting screws supplied, attach the gauge to the adapter finger tight. Be sure the gauge is right side up, the bracket tab for locating dial chamber should be on the right. Torque the mounting screws evenly to 140/150 lb. in. using a cross pattern.
7. Reattach the 4" dial chamber and bezel to the Senior™ gauge head brackets using the two screws supplied.
8. If you end up with the dial chamber upside down, you cannot solve the problem by rotating the bracket. You must rotate the entire gauge 180°.

Rotary Gauges

Fisher® brand rotary gauges can be used on stationary or mobile tanks to visually indicate the amount of Anhydrous Ammonia (NH₃) in the container. They are also used in filling the tank to the proper liquid level. On mobile applications and some large stationary storage tanks, hangers are recommended to support the horizontal length of the dip tube. The Gauge is operated by opening the small bleed orifice when the tube is in the vapor space of the tank. Moving the pointer on the dial causes the end of the tube to move until it contacts liquid in the container. At that point, discharge from the bleed orifice turns from vapor to liquid & the rotary gauge dial gives the volume percentage of liquid in the tank.

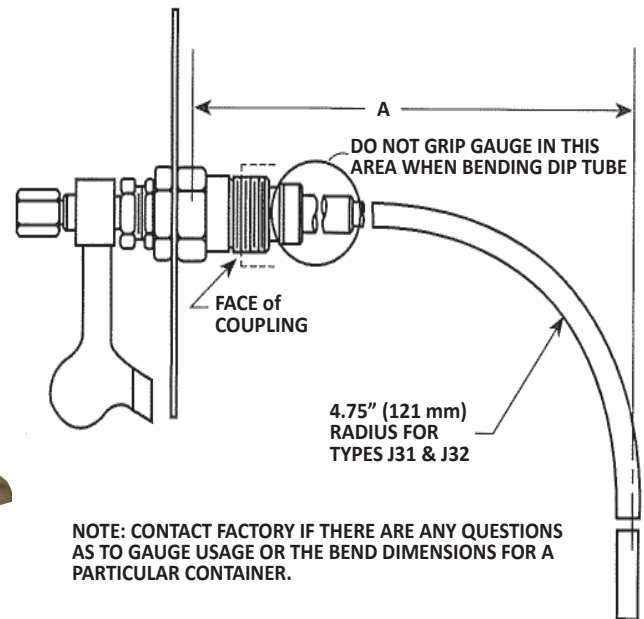
J31 Series - consists of heavy duty gauges that minimize vibration effects (swaying, bouncing) by a long (68-inches) stem tube extension. Gauges fit 1-inch female coupling container connections.

All gauges have stem and dip tubes with an extra large inside diameter. This assures that the correct liquid level can be obtained quickly. A P324 dial is included with the NH₃ version.

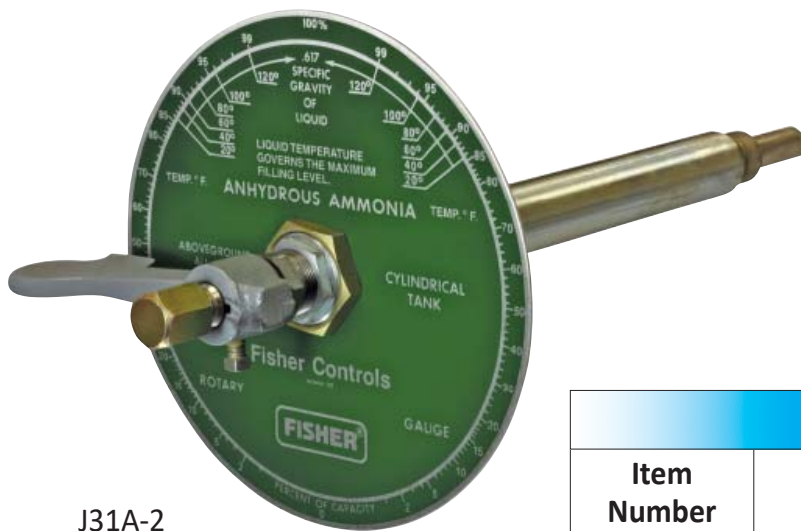
A nylon packing sleeve and a friction ring for the pointer indicator gives smooth rotation and long service life. Steel & stainless steel materials resist rust or corrosion.

NH ₃ Rotary Gauges			
Item Number	Part Number	Length	
		Inches	Millimeters
121122	J31A-1	68	1727
121127	J31A-2	69 - 92	1753 - 2337
121132	J31A-3	93 - 108	2362 - 2743
121137	J31A-3L	109 - 140	2769 - 3556

Each Gauge Must Be Bent Before Installation.



NOTE: CONTACT FACTORY IF THERE ARE ANY QUESTIONS AS TO GAUGE USAGE OR THE BEND DIMENSIONS FOR A PARTICULAR CONTAINER.



J31A-2

Rotary Gauge Parts		
Item Number	Part Number	Description
122920	P324	NH ₃ Dial
128217	T10971-000A2	Cap & Disc Assy.
128139	T10887-19232	Dial Indicator
128209	T10964-24152	Indicator Set Screw

Shipping Notice:

The J31-1 & J31-2 ship UPS.

The J31-3 & J31-3L will be shipped via motor freight.

The J31-3 if shipped UPS gets an additional oversize charge.



130018 - 2208 CV NH3 Dial
 Guide Hole @ 93%
 Percentages 5 - 95
 Above Ground



130029 - 2208 CV NH3 Dial
 Guide Hole @ 5%
 Percentages 5 - 95
 Above Ground



130049 - 2208 NH3 Dial
 Jr. Tabbed Heads
 Percentages 5 - 95
 NH3 Only



130041 - 2209 NH3 Dial
 Sr. Tabbed
 Percentages 5 - 95
 Above Ground



130025 - 5553T NH3 Dial
 Mounts on Old Style Head
 Percentages 5 - 95
 Above Ground



130086 - 5553R NH3 Dial
 Mounts on New Style Head
 Percentages 5 - 95
 Above Ground



130088 - Master Dial
 Mounts to 2 Bracket Heads
 LP or NH3
 8" Fluorescent Master



130089 - Master Dial
 Mounts to 3 Bracket Heads
 LP or NH3
 8" Fluorescent Master



130035 - Master Dial
 Mounts to 2 Tabbed Heads
 LP or NH3
 8" Master

NH3 Dials, Dial Screws & Broken Screw Kit



130090 - Master Dial
Mounts to 3 Tabbed Heads
LP or NH3
8" Master



130030 - 4607 Master Dial
Mounts to 2 Tabbed Heads
NH3 Only
8" Master



130092 - 4607 Master Dial
Mounts to 3 Tabbed Heads
NH3 Only
8" Master



130015 - 2208 NH3 Dial
Sr. Universal
Percentages 5 - 95
Glue-On Replacement



130016 - 2208 NH3 Dial
Jr. Universal
Percentages 5 - 95
Glue-On Replacement



40-416



40-750

Dial Screws		
Item Number	Part Number	Fits
130140	40-416	Dials w/Tabs
130151	40-750	Small Screw For Aluminum Heads
130383	40-413	Screws For 4" & 8" Dials

Broken Screw Kit		
Item Number	Part Number	Description
130054	Jr. & Sr. Broken Screw Kit	Includes Blocks, Bolts, Drills, Taps & Instructions



130054

Order by Gauge Code - Stamped on the Head of any Gauge

Simply order Taylor Visible Gauges by the Gauge Code, and an exact duplicate of the gauge from which the code was taken will be delivered. All Junior & Senior Gauges produced since 1964 have the Taylor code stamped on the top of the head. For all Gauges produced since 2008 the sides of the heads are stamped. For other gauges, and pressure vessel gauge needs, see below.



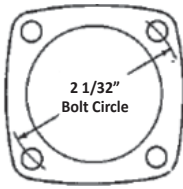
Old Style.

New Style.

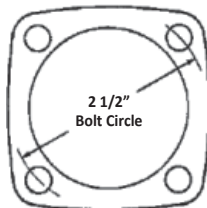
Notes where Gauge Code is located.

If Above Code is Not Available, Specify:

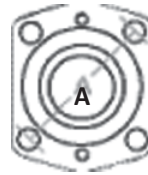
1. TYPE OF SERVICE - Anhydrous Ammonia(NH₃) or N-Serve.
2. GAUGE SIZE (or Head Type) - Specify JUNIOR SIZE, SENIOR SIZE, VISIBLE "4", ROADMASTER OR Master Gauge Model (4 Bolt or 8 Bolt).



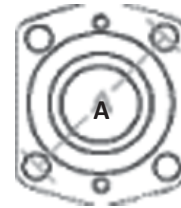
JR. Head



SR. Head



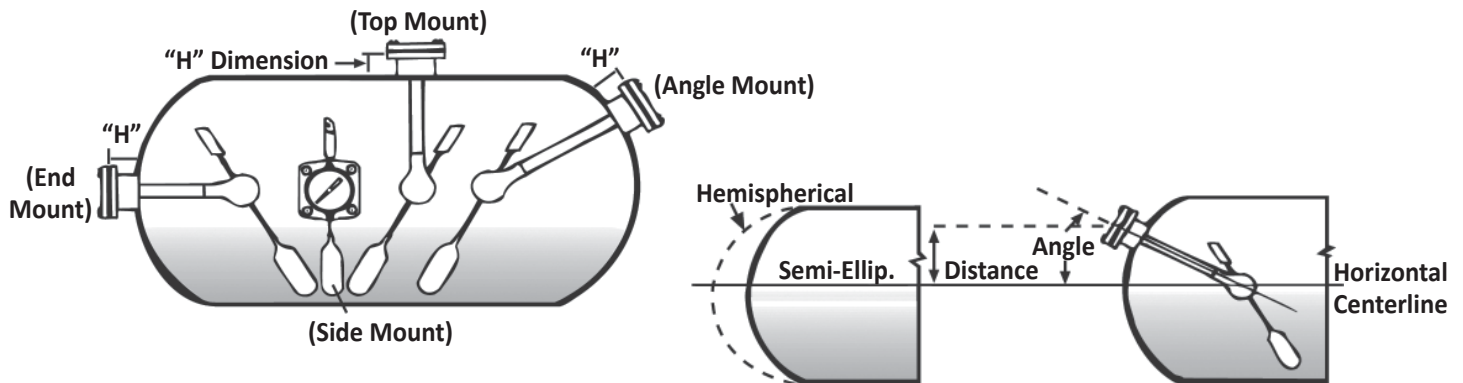
JR. Head
A = 2 1/32"



SR. Head
A = 2 1/2"

3. TYPE MOUNTING - Top, Side, End, or Angle (if angle, specify angle above horizontal center line).

Mounting Location

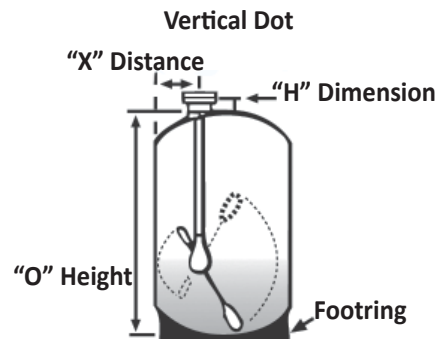


4. GIVE FOLLOWING DIMENSIONS:

H = Distance from tank surface to gasket surface.
D = Inside diameter of tank or cylinder.

5. FOR VERTICAL CYLINDERS ONLY:

X = Distance from center of adaptor to nearest inside wall.
O = Cylinder height.
H = Distance from tank surface to gasket surface.



Gauge Reference & Dial Ordering Information



NH3 Tanks	
Prefix	Gauge Description
AA	Sr. NH3 Top Mount
AB	Sr. NH3 Below Mount
AC	Sr. NH3 Angle Mount
AD	Sr. NH3 End Mount
BA	Jr. NH3 Top Mount
BB	Jr. NH3 Below Mount
BC	Jr. NH3 Angle Mount
BD	Jr. NH3 End Mount
CA	Sr. NH3 Visible "4" Top Mount
CB	Sr. NH3 Visible "4" Below Mount

NH3 Tanks	
Prefix	Gauge Description
CC	Sr. NH3 Visible "4" Angle Mount
CD	Sr. NH3 Visible "4" End Mount
EL	1" Eliminator End Mount
DA	Master NH3 Top Mount "Obsolete" Use MT
DD	Master NH3 End Mount "Obsolete" Use ME
MA	Master LP Top Mount "Obsolete" Use MT
MD	Master LP End Mount "Obsolete" Use ME
ME	Master LP or NH3 End Mount
MT	Master LP or NH3 Top Mount
RM	RoadMaster End Mount

Visible "2" Dials

The Visible "2" dials come in a variety of styles and sizes. The Direct Read dials are available in Drop-In, Jr. Tabbed, Sr. Tabbed, and Glue-On Replacement (Jr. & Sr.). **Note:** The Drop-In dials fit Jr. & Sr. Old Style heads and have locating tabs on the back of the dial that position the dial in the head of the gauge. Glue-On Replacement dials will work with any Jr. or Sr. gauge ever built.



Style A

The large hole on the back lines up with the 94% mark on the front of the dial.



Drop-In



Style B

The large hole on the back lines up with the 5% mark on the front of the dial.



Jr. Tabbed



Sr. Tabbed



Old Style Jr.



Old Style Sr.



New Style Jr.



New Style Sr.

Visible "4" Dials

The Visible "4" dials come in two styles. If you have the Old Style Head then you need a dial with the "T" suffix. If you have the New Style Head then you need a dial with the "R" suffix.



"T" Old Style Head



The following dials are available for the Old Style Head.
5520T, 5511T, and 5553T



"R" New Style Head



The following dials are available for the New Style Head.
5520R, 5511R, 5553R, and 2778R

Master Dials

The Master dials come in two styles. If you have the Old Style Head with 2 brackets then you need a dial with the “T” (Taylor) suffix. If you have the New Style Head with 3 brackets then you need a dial with the “R” (Rochester) suffix.



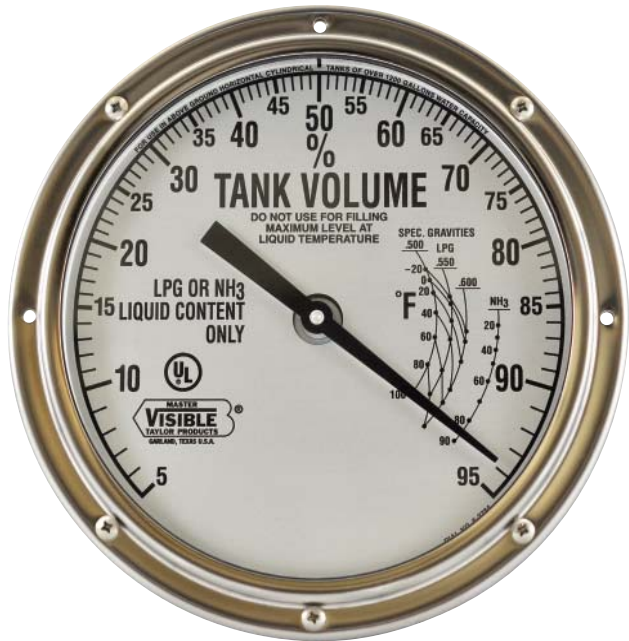
“T” Old Style Head



The following dials are available for the Old Style Head.
 4102T, 4607T, and Combo”T”
 130036, 130030, and 130035



“R” New Style Head



The following dials are available for the New Style Head.
 4102R, 4607R, and Combo”R”
 130091, 130092, and 130090

Jr. & Sr. Glue-On Dial Instructions *

1. Determine dial orientation.
2. Break out lens, remove pointer, and bend over stem.
3. Glue on the new dial.



1. Before Installation



2. Ready To Glue



3. After Installation

*** Refer to Dial Kit Instruction Sheet For Complete Instructions, Warnings and Cautions.**

Visible "4" Instructions

These Instructions are for the following dials - 5520T, 5511T, and 5553T.

These dials come the factory pre-assembled and are attached by placing the dial & bracket assembly over the head and tightening the two screws (Figure 1) to clamp the dial to the gauge head (Figure 2).



Complete Dial Assembly
Front View



Complete Dial Assembly
Back View

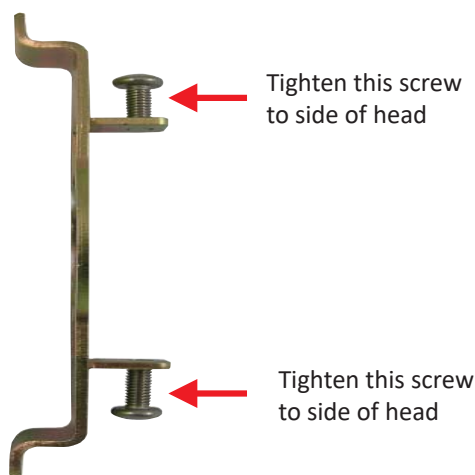


Figure 1



Figure 2



Figure 3

Visible "4" Instructions

These Instructions are for the following dials - 2778R, 5520R, 5511R , and 5553R.

These dials will come the factory pre-assembled & need to be disassembled prior to installation.

1. Remove the two screws that attach the bezel (Figure 1) to the bracket. This will allow the bezel & dial to be removed from the bracket assembly.
2. Use the two small screws that are in the bracket to attach the bracket to the gauge head (Figure 2). NOTE the orientation of the notch that must be at the "3 O'clock position".
3. After the bracket is attached to the dial head, push the dial into the bracket & attach the bezel with the two screws that you originally removed (Figure 3).



Complete Dial Assembly
Front View



Complete Dial Assembly
Back View



Figure 1

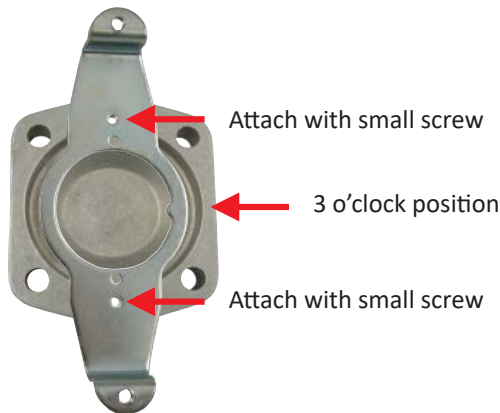


Figure 2



Figure 3

New Style 3 Bracket Master Instructions

1. Remove dial screws from brackets on the gauge head.
2. Match the 3 holes on the dial up with 3 brackets.
3. Replace the 3 screws that you removed in step 1 & tighten them down.



Old Style 2-Bracket Master Instructions

These dials will come from the factory pre-assembled & needs to be disassembled prior to installation.

1. Remove the four screws & nuts that attach the brackets (Figure 1) to the dial. This will allow the brackets to be installed on the gauge head.
2. Use the two small screws that are in the bracket to attach the brackets to the gauge head (Figure 2).
3. After the brackets are attached to the gauge head, make sure that the 50% mark on the dial and top on the head matches up and attach the dial to brackets with the 4 screws and nuts that you originally removed (Figure 3).

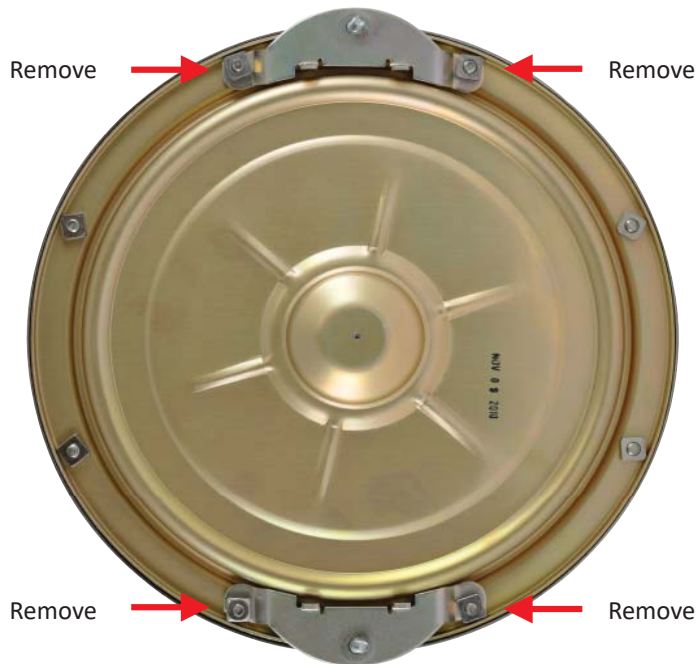


Figure 1



Figure 2

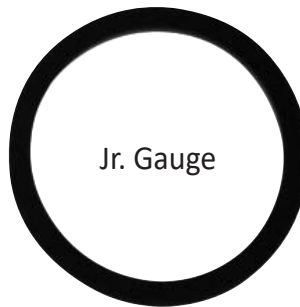


Figure 3

Gaskets & O-Rings			
Item Number	Part Number	Style	Size
126663	1E8122	Gasket	1 1/4" Acme
119337	ST-1102A-16		1 3/4" Acme
126670	ST-1E8126		2 1/4" Acme
126673	ST-1E8128		3 1/4" Acme
128169	T10948		4 1/4" Acme
403010	210		O-Ring
403012	216	1 3/4" Acme	
129055	T12655	2 1/4" Acme	
127070	ST-1H2917	3 1/4" Acme	
403015	238	4 1/4" Acme	
130121	Buna-N	Gasket	Jr. Gauges (4-Bolt)
130134	Teflon®		
403014	15-21	O-Ring	Sr. Gauges (4-Bolt & Model A)
130122	Buna-N	Gasket	
130130	Teflon®		
130131	Spirotallic		
403013	15-22	O-Ring	
130040	Spirotallic	Gasket	Master & RoadMaster Gauges (8-Bolt)

Teflon® is a trademark of DuPont Company.

Gaskets pictured
are actual size.



Squibb-Taylor Valves								
Fits	Repair Kit		Bonnet Assembly		Stem & Disc Assembly		Handle Assembly	
	Item Number	Part Number	Item Number	Part Number	Item Number	Part Number	Item Number	Part Number
A329AL & A1520	119059	310-22	119060	310-25	119061	310-26	-----	-----
A330, A331, A1525, & A1527	119228	330-22	110339	A330-25				
A333AL, A334AL, A1528, A1529, & A1530	119306	480-22	119306	480-25	119307	S481-1100	-----	-----
A480, A490, & A502	119306	480-22	119306	480-25	119307	S481-1100	-----	-----
A520, A521, A522, A525	119059	310-22	119060	310-25	119061	310-26	-----	-----
A1415 & A1416	119376	1415-7	-----	-----	-----	-----	-----	-----
A1590, A1591, A1592, A1596, A1597, A1598, & A1599	119059	310-22	119060	310-25	119061	310-26	-----	-----
AL107	112052	107-22	-----	-----	-----	-----	-----	-----
AL109	112057	109-22	-----	-----	-----	-----	-----	-----
AL111	112065	111-22	-----	-----	-----	-----	-----	-----
AL306, AL307, AL308 & AL309	119039	308-22	119040	308-25	119041	308-26	-----	-----
AL310, AL311, AL360, AL477, AL478, & AL487	119059	310-22	119060	310-25	119061	310-26	-----	-----
AL312 & AL313	119109	312-22	119110	312-25	119111	312-26	-----	-----
AL314 & A315	119125	314-22	119126	314-25	119127	314-26	-----	-----
AL316, AL316F, AL317, & AL317F	119169	316-22	119170	316-25	119171	316-26	-----	-----
AL320, AL320F, AL321, & AL321F	119217	320-22	119218	320-25	119219	320-26	-----	-----
AL342, AL343, AL343C & AL362	119360	343-22	119335	343-25	119333	342-1700	119359	340-1300
AL344 & AL345, & AL361	119361	344-22	119356	345-25	119221	340-1200		
AL343A, AL343AS, AL362A, AL362AS, AL363, AL363S, AL366, & AL366S	119351	363-20	-----	-----	119348	S363-1701	-----	-----
AL407 & AL409	119255	407-21	119257	407-25	119256	407-23	-----	-----
AL410, AL411, AL412, & AL413	119279	410-21	119281	410-25	119280	410-23	-----	-----

Valve Repair Parts & Accessories			
Item Number	Part Number	Description	Fits
113022	RB1-2003	Bracket Retaining Ring	RB1-1002 Bracket For RB1, RB1.25, FM125 & FM126
113031	RB1-0024	Guide Nut & O-Ring Repair Kit	RB-1
113033	RB1.25-0024		RB-1.25
110600	A479-5050	Bushing	Valves With Open Yoke Excess Flow Only
119357	1105-22	Repair Kit	1105-25, A1578, & A1592
119358	1105-25	Fill Valve	

Fisher Internal Valve Repair Kits			
Item Number	Part Number	For Type Number	Kit Contents
125010	RC40016T012	C402-16, C421-16, & C427-16	Discs, Packing, Stub Shaft, O-Rings, Cotter Pin, & Washer
125015	RC40024T012	C402-24, C421-24, & C427-24	
125030	RC40710T042	C407-10	Discs, Packing, & O-Ring
125012	RC47016T012	C471-16 & C477-16	Discs, Packing, Stub Shaft, O-Rings, Cotter Pin, & Washer
125017	RC47024T012	C471-24 & C477-24	

Fisher Internal Valve Parts						
Part Description	C407-10		C477-16 & C471-16		C477-24 & C471-24	
	Item Number	Part Number	Item Number	Part Number	Item Number	Part Number
Gland Assembly	129295	T20850-T0012	129171	T20377-000B2	129186	T20430-000B2
Lever	129890	T13428-T0012	128700	T11559-19312	128700	T11559-19312
Cotter Pin for Lever	129880	T13405-T0012	127092	1H8371-28982	127092	1H8371-28982
Main Disc - Nitrile	129878	T13397-T0012	128649	T11540-03202	128823	T11774-03202
Bleed Disc - Nitrile	129877	T13395-T0012	129412	ERAA00328A0	129412	ERAA00328A0
O-Ring - Nitrile	129879	T13400-T0012	128697	T11557-06562	128697	T11557-06562

Fisher Internal Valve Excess Flow Springs			
Item Number	Part Number	Fits	Part Description
129884	T13414-T0012	C407-10	Excess Flow Spring - 30 GPM (Blue)
129883	T13413-T0012		Excess Flow Spring - 50 GPM (Green)
129882	T13412-T0012		Excess Flow Spring - 80 GPM (Orange)
129209	GE42498X012	C477-16 & C471-16	Excess Flow Spring - 105 GPM (Green)
128640	T11535-37022		Excess Flow Spring - 150 GPM (Yellow)
128967	T12005-37022		Excess Flow Spring - 250 GPM (Pink)
129213	GE42499X012	C477-24 & C471-24	Excess Flow Spring - 160 GPM (Blue)
129214	GE42500X012		Excess Flow Spring - 265 GPM (Black)
129223	GE42851X012		Excess Flow Spring - 375 GPM (Yellow)
129216	GE42501X012		Excess Flow Spring - 460 GPM (Red)

MEC Internal Valve Repair Kits			
Item Number	Part Number	Part Description	Fits
153985	ME990-10-VRK	Valve Repair Kit	ME990-10 ME992-10 & ME992-12
153990	ME990-10-SRK	Valve Seal Repair Kit	
153995	ME990-10-PRK	Valve Stem Packing Repair Kit	
153625	ME990-16-VRK	Valve Repair Kit	ME990-16 & ME992-16
153630	ME990-16-SRK	Valve Seal Repair Kit	
153580	ME990-PRK	Valve Stem Packing Repair Kit	
153570	ME990-24-VRK	Valve Repair Kit	ME990-24 & ME992-24
153575	ME990-24-SRK	Valve Seal Repair Kit	
153580	ME990-PRK	Valve Stem Packing Repair Kit	

MEC Internal Valve Parts						
Part Description	ME990-10, ME992-10, & ME992-12		ME990-16 & ME992-16		ME990-24 & ME992-24	
	Item Number	Part Number	Item Number	Part Number	Item Number	Part Number
Stem Packing Gland Assy.	154000	ME990-10-PGA	153585	ME990-PGA	153585	ME990-PGA
Operating Lever	154020	ME990-10-129	153560	ME990-140	153560	ME990-140

MEC Internal Valve Excess Flow Springs			
Item Number	Part Number	Fits	Part Description
154005	ME990-10-137-35	ME990-10	Excess Flow Spring - 35 GPM (Blue)
154010	ME990-10-137-55		Excess Flow Spring - 55 GPM (Green)
154015	ME990-10-137-85		Excess Flow Spring - 85 GPM (Orange)
153635	ME990-16-106-110	ME990-16 & ME992-16	Excess Flow Spring - 110 GPM (Yellow)
153640	ME990-16-106-160		Excess Flow Spring - 160 GPM (Green)
153645	ME990-16-106-260		Excess Flow Spring - 260 GPM (Blue)
153590	ME990-107-175	ME990-24 & ME992-24	Excess Flow Spring - 175 GPM (Purple)
153595	ME990-107-250		Excess Flow Spring - 250 GPM (Black)
153605	ME990-107-375		Excess Flow Spring - 375 GPM (Yellow)
153610	ME990-107-400		Excess Flow Spring - 400 GPM (Red)
153615	ME990-107-475		Excess Flow Spring - 475 GPM (Silver)
153620	ME990-107-500		Excess Flow Spring - 500 GPM (White)

Appendix A—Minimum Required Flow Rate of Pressure Relief Devices for Fire Protection (Normative)

Pressure relief valves for excessive heat or fire protection used on containers covered by Sections 6, 11, and 12 shall be constructed to discharge at not less than the rates required in Appendix A before the pressure is in excess of 121% of the MAWP of the container. Relief protection for any other reason shall use ASME UG-125, UG-126, UG-127, UG-128, UG-129, UG-130, UG-131, UG-132, UG-133, UG-134, UG-135, AND UG-136 [17].

Surface Area ft ²	Flow Rate ft ³ /min air	Surface Area ft ²	Flow Rate ft ³ /min air	Surface Area ft ²	Flow Rate ft ³ /min air	Surface Area ft ²	Flow Rate ft ³ /min air	Surface Area ft ²	Flow Rate ft ³ /min air
20	258	120	1,120	240	1,980	600	4,200	1,600	9,380
25	310	125	1,160	250	2,050	650	4,480	1,650	9,620
30	360	130	1,200	260	2,120	700	4,760	1,700	9,860
35	408	135	1,240	270	2,180	750	5,040	1,750	10,090
40	455	140	1,280	280	2,250	800	5,300	1,800	10,330
45	501	145	1,310	290	2,320	850	5,590	1,850	10,560
50	547	150	1,350	300	2,380	900	5,850	1,900	10,800
55	591	155	1,390	310	2,450	950	6,120	1,950	11,030
60	635	160	1,420	320	2,510	1,000	6,380	2,000	11,260
65	678	165	1,460	330	2,570	1,050	6,640	2,050	11,490
70	720	170	1,500	340	2,640	1,100	6,900	2,100	11,720
75	762	175	1,530	350	2,700	1,150	7,160	2,150	11,950
80	804	180	1,570	360	2,760	1,200	7,410	2,200	12,180
85	845	185	1,600	370	2,830	1,250	7,660	2,250	12,400
90	885	190	1,640	380	2,890	1,300	7,910	2,300	12,630
95	925	195	1,670	390	2,950	1,350	8,160	2,350	12,850
100	965	200	1,710	400	3,010	1,400	8,410	2,400	13,080
105	1,010	210	1,780	450	3,320	1,450	8,650	2,450	13,300
110	1,050	220	1,850	500	3,620	1,500	8,900	2,500	13,520
115	1,090	230	1,920	550	3,910	1,550	9,140	2,550	13,739

Surface area = total outside surface area of container in square feet. When the surface area is not stamped on the name plate or when the marking is not legible, the area can be calculated by using one of the following formulas:

- (1) Cylindrical container with hemispherical heads—Area = overall length (ft) x OD (ft) x 3.1416
- (2) Cylindrical container with other than hemispherical heads—Area = (overall length [ft] + 0.3 OD [ft]) x OD (ft) x 3.1416
- (3) Spherical container—Area = OD (ft)² x 3.1416

Flow rate ft³/min air = ft³/min of air required at standard conditions, 60°F (15.6°C) and atmospheric pressure (14.7) psia, [101.3 kPa, abs])

The rate of discharge may be interpolated for intermediate values of surface area. For containers with total outside surface greater than 2500 ft², the required flow rate can be calculated using the formula:

$$\text{Flow rate ft}^3/\text{min air} = 22.11 A^{0.82}$$

Where: A = outside surface area of the container in square feet

Conversion factors: — ft² x 0.092 903 = m²

— ft³/min x 0.028 317 = m³/min

— ft x 0.3048 = m

From CGA G-2.1—2014, Appendix A

Pressure & Temperature Chart of Ammonia (NH₃)

Temperature	Pressure	Temperature	Pressure	Temperature	Pressure	Temperature	Pressure
-28°F	0 PSIG	20°F	33 PSIG	70°F	114 PSIG	120°F	271 PSIG
-20°F	3 PSIG	30°F	45 PSIG	80°F	138 PSIG	130°F	315 PSIG
-10°F	9 PSIG	40°F	58 PSIG	90°F	165 PSIG		
0°F	15 PSIG	50°F	74 PSIG	100°F	197 PSIG		
10°F	23 PSIG	60°F	92 PSIG	110°F	232 PSIG		

Nominal Size Chart



Nominal refers to the diameter of the hole with a non-dimensional number.

Example: AL310P 1" Globe Valve – Nominal Size .992"

This table will help in selecting correct components for the Nurse Tank to Tool Bar System in helping minimize restrictions downstream of the Integral Nurse Tank Excess Flow Valves or Inline Excess Flow Valves. By selecting the correct components this allows the Excess Flow to have the best possible chance to close in catastrophic failure.

This selection chart is a guideline and shouldn't be used for an analysis.

Nominal Size Chart For NH3 Nurse Tank To Tool Bar						
Item Number	Part Number	Nominal Size		Item Number	Part Number	Nominal Size
117296	100-1	.817		110632	A2240S	.954
230153	2045-16-16S	.78		110631	A2241S	1.00
230157	2045-20-20S	1.025		110333	A329AL	.969
230263	2045-24-24S	1.318		110334	A330	1.16
230161	2046-16-16S	.787		110336	A331	1.30
230156	2046-20-20S	1.096		110341	A332	1.30
230261	2046-24-24S	1.25		110338	A333AL	1.25
110645	A1131F	.953		110337	A334AL	1.25
110650	A1132F	1.25		110772	A480N-45	1.25
110651	A1133F	1.375		110773	A480N-60	1.25
110675	A1151F	.875		110774	A482N-45	1.25
110683	A1156FS	1.187		110775	A482N-60	1.25
111335	A1705-45	1.00		110771	A484N-45	1.25
111340	A1706	.817		110776	A502N-45	1.25
111380	A1718	.95		110777	A502N-60	1.25
111385	A1727	1.00		110778	A506N-45	1.25
111398	A1730	1.07		111150	A520R	.938
111399	A1731	1.32		111151	A521P	.938
117312	A221S	.956		111153	A522P	.938
111425	A2002	.875		111155	A525P	.938
111431	A2003S	1.00		110280	AL310P	.992
111466	A2013S	1.008		110320	AL312P	1.25
110825	A2031	.93		110355	AL314P	1.50
110830	A2032	1.272		122206	ME3162-16	.870
110832	A2034	1.491		122211	ME3162-20	.963
111537	A2059	.937		111433	ST2004S	.936
111539	A2060S	1.28			Hose - 1" I.D.	.8 Barb
111569	A2076	1.005			Hose - 1 1/4" I.D.	1.024 Barb
111570	A2077	1.375			Hose - 1 1/2" I.D.	1.235 Barb
110630	A2231FS	.75				

Squibb-Taylor's Quality Policy

We will provide defect-free products and service to our customers and associates.

We will fully understand the requirements of our jobs and the systems that support us.

We will conform to these requirements at all times.

Squibb-Taylor, Inc., established in 1947, has been serving the NH3 industry with quality lines and services for over seventy-two years.

Squibb-Taylor, Inc., is responsible for the marketing of Taylor's liquid level gauges and Parker valves for the NH3 industry. We are also a stocking distributor for other manufactured NH3 products. **SQUIBB-TAYLOR DOES NOT MANUFACTURE ANY PRODUCTS IN THIS CATALOG.**

The Dallas facility houses 24,500 square feet of space, of which 14,500 square feet are devoted to its warehouse that stocks some 10,000 separate items.

We wish to thank you for the support and confidence you have shown in Squibb-Taylor and hope relationships will continue for decades to come.

TERMS & CONDITIONS

Payment

To customers with established credit, *net 30 days from date of invoice*. Customers without established credit will be shipped C.O.D., wire transfer, credit card with percentage upcharge, or cash in advance.

Prices

Prices are subject to change without notice.

Shortage Claims

Claims for shortages must be made within 10 days after receipt of shipment.

Warranty

Warranties as expressed by individual manufacturers will be honored.

Returned Material

No material should be returned for credit without Seller's prior approval. Transportation charges must be prepaid. A restocking charge may apply. Merchandise returned must be accompanied by a Returned Goods Authorization (RGA) number, which is provided to customer by Squibb-Taylor.

Taxes

Buyer shall be liable for all Sales, Use, or Excise taxes not included in total invoice price.

Special Orders

On special items we order that are not normal stock items, we cannot accept cancellations or returns and may require prepayment at the discretion of Squibb-Taylor.

Visit our Website @ www.squibbtaylor.com for Updates, Changes, New Products, IOM Manual - (Installation, Operation, & Maintenance Instructions), Service Guides & to Sign up for our Newsletter.

OFFER OF SALE

The items described in this document and other documents and descriptions provided by Squibb Taylor, Inc. and its authorized distributors ("Seller") are hereby offered for sale at prices to be established by Seller. This offer and its acceptance by any customer ("Buyer") shall be governed by all of the following Terms and Conditions. Buyer's order for any item described in its document, when communicated to Seller verbally, or in writing, shall constitute acceptance of this offer. All goods, services or work described will be referred to as "Products".

1. **Terms and Conditions.** Seller's willingness to offer Products, or accept an order for Products, to or from Buyer is subject to these Terms and Conditions or any newer version of the terms and conditions found on-line at www.squibbtaylor.com. Seller objects to any contrary or additional terms or conditions of Buyer's order or any other document issued by Buyer.

2. **Price Adjustments; Payments.** Prices stated on Seller's quote or other documentation offered by Seller are valid for 30 days, and do not include any sales, use, or other taxes unless specifically stated. Unless otherwise specified by Seller, all prices are F.C.A. Seller's facility (INCOTERMS 2010). Payment is subject to credit approval and is due 30 days from the date of invoice or such other term as required by Seller's Credit Department, after which Buyer shall pay interest on any unpaid invoices at the rate of 1.5% per month or the maximum allowable rate under applicable law.

3. **Delivery Dates; Title and Risk; Shipment.** All delivery dates are approximate and Seller shall not be responsible for any damages resulting from any delay. Regardless of the manner of shipment, title to any products and risk of loss or damage shall pass to Buyer upon placement of the products with the shipment carrier at Seller's facility. Unless otherwise stated, Seller may exercise its judgment in choosing the carrier and means of delivery. No deferment of shipment at Buyers' request beyond the respective dates indicated will be made except on terms that will indemnify, defend and hold Seller harmless against all loss and additional expense. Buyer shall be responsible for any additional shipping charges incurred by Seller due to Buyer's acts or omissions.

4. **Warranty.** Seller warrants that the Products sold hereunder shall be free from defects in material or workmanship for a period of twelve months from the date of delivery to Buyer or 2,000 hours of normal use, whichever occurs first. The prices charged for Seller's products are based upon the exclusive limited warranty stated above, and upon the following disclaimer: **DISCLAIMER OF WARRANTY: THIS WARRANTY COMPRISES THE SOLE AND ENTIRE WARRANTY PERTAINING TO PRODUCTS PROVIDED HEREUNDER. SELLER DISCLAIMS ALL OTHER WARRANTIES, EXPRESS AND IMPLIED, INCLUDING DESIGN, MERCHANTABILITY AND FITNESS FOR A PARTICULAR PURPOSE.**

5. **Claims; Commencement of Actions.** Buyer shall promptly inspect all Products upon delivery. No claims for shortages will be allowed unless reported to the Seller within 10 days of delivery. No other claims against Seller will be allowed unless asserted in writing within 30 days after delivery. Buyer shall notify Seller of any alleged breach of warranty within 30 days after the date the defect is or should have been discovered by Buyer. Any action based upon breach of this agreement or upon any other claim arising out of this sale (other than an action by Seller for an amount due on any invoice) must be commenced within 12 months from the date of the breach without regard to the date breach is discovered.

6. **LIMITATION OF LIABILITY.** UPON NOTIFICATION, SELLER WILL, AT ITS OPTION, REPAIR OR REPLACE A DEFECTIVE PRODUCT, OR REFUND THE PURCHASE PRICE. **IN NO EVENT SHALL SELLER BE LIABLE TO BUYER FOR ANY SPECIAL, INDIRECT, INCIDENTAL OR CONSEQUENTIAL DAMAGES ARISING OUT OF, OR AS THE RESULT OF, THE SALE, DELIVERY, NON-DELIVERY, SERVICING, USE OR LOSS OF USE OF THE PRODUCTS OR ANY PART THEREOF, OR FOR ANY CHARGES OR EXPENSES OF ANY NATURE INCURRED WITHOUT SELLER'S WRITTEN CONSENT, EVEN IF SELLER HAS BEEN NEGLIGENT, WHETHER IN CONTRACT, TORT OR OTHER LEGAL THEORY. IN NO EVENT SHALL SELLER'S LIABILITY UNDER ANY CLAIM MADE BY BUYER EXCEED THE PURCHASE PRICE OF THE PRODUCTS.**

7. **User Responsibility.** The user, through its own analysis and testing, is solely responsible for making the final selection of the system and Product and assuring that all performance, endurance, maintenance, safety and warning requirements of the application are met. The user must analyze all aspects of the application and follow applicable industry standards and Product information. If Seller provides Product or system options, the user is responsible for determining that such data and specifications are suitable and sufficient for all applications and reasonably foreseeable uses of the Products or systems.

8. **Loss to Buyer's Property.** Any designs, tools, patterns, materials, drawings, confidential information or equipment furnished by Buyer or any other items which become Buyer's property, will be considered obsolete and may be destroyed by Seller after two consecutive years have elapsed without Buyer ordering the items manufactured using such property. Seller shall not be responsible for any loss or damage to such property while it is in Seller's possession or control.

9. **Special Tooling.** A tooling charge may be imposed for any special tooling, including without limitation, dies, fixtures, molds and patterns, acquired to manufacture Products. Such special tooling shall be and remain Seller's property notwithstanding payment of any charges by Buyer. In no event will Buyer acquire any interest in apparatus belonging to Seller which is utilized in the manufacture of the Products, even if such apparatus has been specially converted or adapted for such manufacture and notwithstanding any charges paid by Buyer. Unless otherwise agreed, Seller shall have the right to alter, discard or otherwise dispose of any special tooling or other property in its sole discretion at any time.

10. **Buyer's Obligation; Rights of Seller.** To secure payment of all sums due or otherwise, Seller shall retain a security interest in the goods delivered and this agreement shall be deemed a Security Agreement under the Uniform Commercial Code. Buyer authorizes Seller as its attorney to execute and file on Buyer's behalf all documents Seller deems necessary to perfect its security interest.

11. **Improper use and Indemnity.** Buyer shall indemnify, defend, and hold Seller harmless from any claim, liability, damages, lawsuits, and costs (including attorney fees), whether for personal injury, property damage, patent, trademark or copyright infringement or any other claim, brought by or incurred by Buyer, Buyer's

employees, or any other person, arising out of: (a) improper selection, improper application or other misuse of Products purchased by Buyer from Seller; (b) any act or omission, negligent or otherwise, of Buyer; (c) Seller's use of patterns, plans, drawings, or specifications furnished by Buyer to manufacture Product; or (d) Buyer's failure to comply with these terms and conditions. Seller shall not indemnify Buyer under any circumstance except as otherwise provided.

12. **Cancellations and Changes.** Orders shall not be subject to cancellation or change by Buyer for any reason, except with Seller's written consent and upon terms that will indemnify, defend and hold Seller harmless against all direct, incidental and consequential loss or damage. Seller may change product features, specifications, designs and availability with notice to Buyer.

13. **Limitation on Assignment.** Buyer may not assign its rights or obligations under this agreement without the prior written consent of Seller.

14. **Force Majeure.** Seller does not assume the risk and shall not be liable for delay or failure to perform any of Seller's obligations by reason of circumstances beyond the reasonable control of Seller (hereinafter "Events of Force Majeure"). Events of Force Majeure shall include without limitation: accidents, strikes or labor disputes, acts of any government or government agency, acts of nature, delays or failures in delivery from carriers or suppliers, shortages of materials, or any other cause beyond Seller's reasonable control.

15. **Waiver and Severability.** Failure to enforce any provision of this agreement will not waive that provision nor will any such failure prejudice Seller's right to enforce that provision in the future. Invalidation of any provision of this agreement by legislation or other rule of law shall not invalidate any other provision herein. The remaining provisions of this agreement will remain in full force and effect.

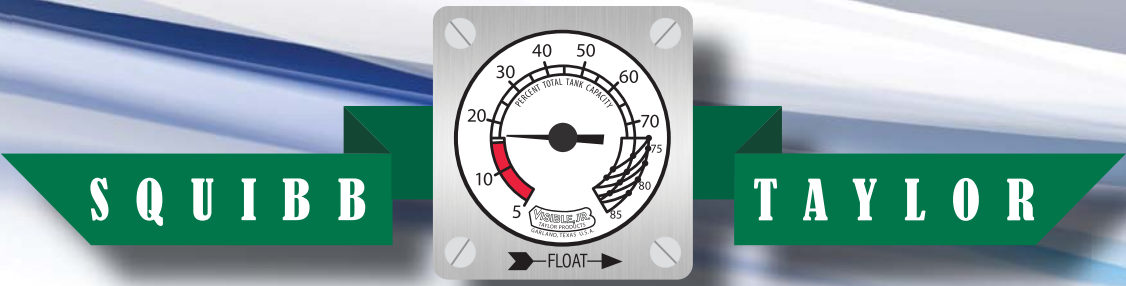
16. **Termination.** Seller may terminate this agreement for any reason and at any time by giving Buyer thirty (30) days written notice of termination. Seller may immediately terminate this agreement, in writing, if Buyer: (a) commits a breach of any provision of this agreement (b) appoints a trustee, receiver or custodian for all or any part of Buyer's property (c) files a petition for relief in bankruptcy on its own behalf, or by a third party (d) makes an assignment for the benefit of creditors, or (e) dissolves or liquidates all or a majority of its assets.

17. **Governing Law.** This agreement and the sale and delivery of all Products hereunder shall be deemed to have taken place in and shall be governed and construed in accordance with the laws of the State of Texas, as applicable to contracts executed and wholly performed therein and without regard to conflicts of laws principles. Buyer irrevocably agrees and consents to the exclusive jurisdiction and venue of the courts of Dallas County, Texas with respect to any dispute, controversy or claim arising out of or relating to this agreement.

18. **Indemnity for Infringement of Intellectual Property Rights.** Seller shall have no liability for infringement of any patents, trademarks, copyrights, trade dress, trade secrets or similar rights except as provided in this Section. Seller will defend and indemnify Buyer against allegations of infringement of U.S. patents, U.S. trademarks, copyrights, trade dress and trade secrets ("Intellectual Property Rights"). Seller will defend at its expense and will pay the cost of any settlement or damages awarded in an action brought against Buyer based on an allegation that a Product sold pursuant to this Agreement infringes the Intellectual Property Rights of a third party. Seller's obligation to defend and indemnify Buyer is contingent on Buyer notifying Seller within ten (10) days after Buyer becomes aware of such allegations of infringement, and Seller having sole control over the defense of any allegations or actions including all negotiations for settlement or compromise. If a Product is subject to a claim that it infringes the Intellectual Property Rights of a third party, Seller may, at its sole expense and option, procure for Buyer the right to continue using the Product, replace or modify the Product so as to make it non infringing, or offer to accept return of the Product and return the purchase price less a reasonable allowance for depreciation. Notwithstanding the foregoing, Seller shall have no liability for claims of infringement based on information provided by Buyer, or directed to Products delivered hereunder for which the designs are specified in whole or part by Buyer, or infringements resulting from the modification, combination or use in a system of any Product sold hereunder. The foregoing provisions of this Section shall constitute Seller's sole and exclusive liability and Buyer's sole and exclusive remedy for infringement of Intellectual Property Rights.

19. **Entire Agreement.** This agreement contains the entire agreement between the Buyer and Seller and constitutes the final, complete and exclusive expression of the terms of sale. All prior or contemporaneous written or oral agreements or negotiations with respect to the subject matter are herein merged.

20. **Compliance with Law, U. K. Bribery Act and U.S. Foreign Corrupt Practices Act.** Buyer agrees to comply with all applicable laws and regulations, including both those of the United Kingdom and the United States of America, and of the country or countries of the Territory in which Buyer may operate, including without limitation the U. K. Bribery Act, the U.S. Foreign Corrupt Practices Act ("FCPA") and the U.S. Anti-Kickback Act (the "Anti-Kickback Act"), and agrees to indemnify and hold harmless Seller from the consequences of any violation of such provisions by Buyer, its employees or agents. Buyer acknowledges that they are familiar with the provisions of the U. K. Bribery Act, the FCPA and the Anti-Kickback Act, and certifies that Buyer will adhere to the requirements thereof. In particular, Buyer represents and agrees that Buyer shall not make any payment or give anything of value, directly or indirectly to any governmental official, any foreign political party or official thereof, any candidate for foreign political office, or any commercial entity or person, for the purpose of influencing such person to purchase products or otherwise benefit the business of Seller.



Visit our Website @ www.squibbtaylor.com for Updates, Changes, New Products & IOM Manual - (Installation, Operation, & Maintenance Instructions)

www.squibbtaylor.com

10480 Shady Trail Suite #106
Dallas, TX 75220

800-345-8105
Fax 214-357-5923

1.19